

### Parts List

Coloured Seat Slat (x6)

Kimberley Support (x2)

Bugle Screw 14g x 75mm (x12)



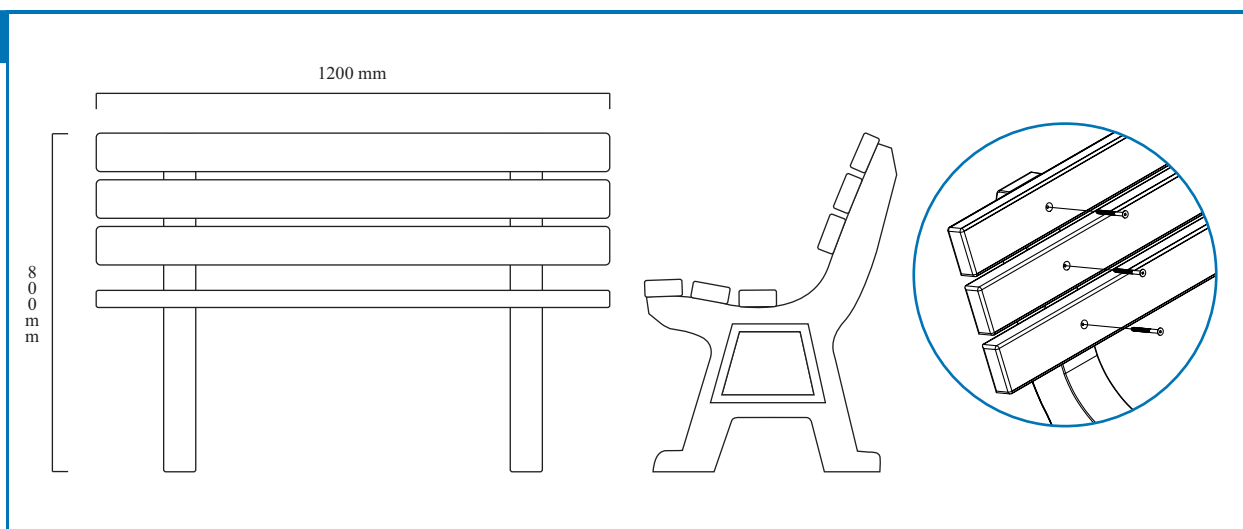
### Instructions

**Step 1** Using a 5mm hexagonal drive, partly screw each slat onto the supports. Fixing the bottom slats first is recommended.

**Step 2** Ensure that the supports are vertical and slats are square with the supports.

**Step 3** Finally tighten all screws, taking care not to over tighten as this could strip the screws.

### Diagram



If you require further assistance, please contact your supplier.

By purchasing this recycled plastic product you've helped divert the equivalent of approximately 10,000 plastic bags from landfill.