

Parts List

Bench Top (x1)

In Ground Bench Support (x3)

14g x 50 mm Bugle Screw (x18)



Instructions

Step 1 Place bench face down on a flat surface.

Step 2 Using the 50 mm bugle screws supplied, fix the supports on the bench, taking care not to over tighten as this could strip the thread in the plastic.

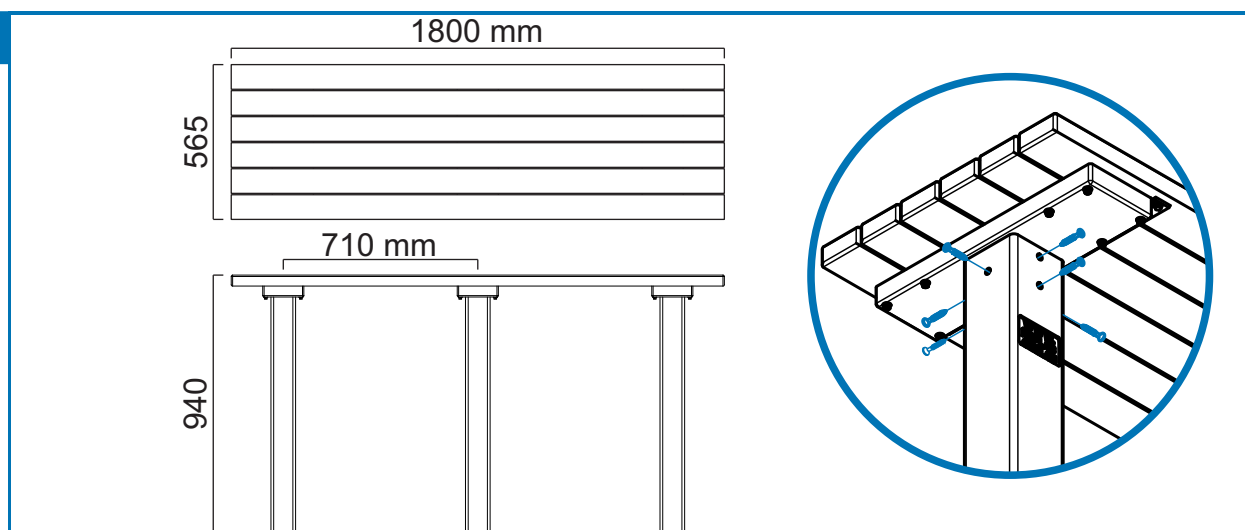
Step 3 Once all screws have been tightened turn the bench over and place into position.

Step 4 Drill or dig holes approximately 500 mm deep. (Depending on the height you want the bench above the ground)

Step 5 Place the supports of the assembled bench into the holes. Position and ensure that the bench is well braced to prevent movement and sagging. At this stage it is important to use a spirit level to check that the bench is horizontal and the supports are vertical.

Step 6 Once satisfied that the bench is positioned correctly, fill with concrete, making sure it is packed firmly around the supports. Once the concrete has set, remove the bracing.

Diagram



All dimensions are in millimetres (mm) unless specified.

If you require further assistance, please contact your supplier.

Rev: 3