

Parts List

Seat Slat (x13)

Kimberley / Daintree Support (x3)

Bugle Screw (x39)



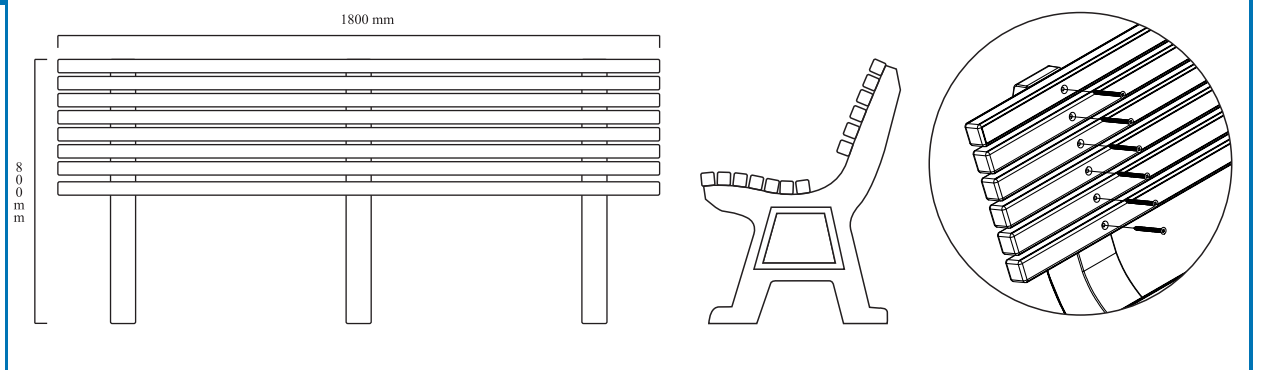
Instructions

Step 1 Using a 5mm hexagonal drive, partly screw each slat onto the supports. Fixing the bottom slats first is recommended.

Step 2 Ensure that the supports are vertical and slats are square with the supports.

Step 3 Finally tighten all screws, taking care not to over tighten as this could strip the screws.

Diagram



Diagram

