

### Instructions

**Step 1:** After assembly, drill or dig holes as per the installation diagram. We recommend allowing an additional 100 mm on the sides and bottom of the holes to allow for a suitable amount of concrete.

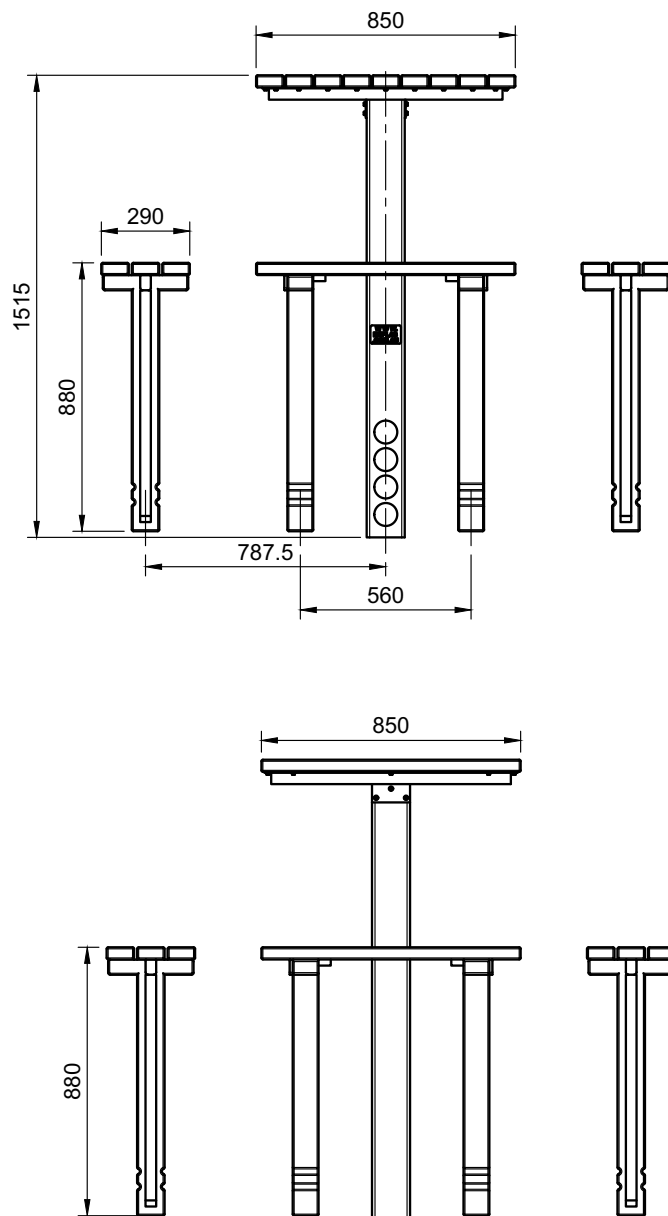
**Step 2:** Place the supports into the holes & position as per the installation diagram & brace the supports to prevent movement during install & setting of the concrete.

**Step 3:** Use a spirit level to ensure the setting is level & supports are vertical, make adjustments where necessary.

**Step 4:** Once positioned correctly, fill the holes with concrete, making sure it is packed firmly around the supports.

**Step 5:** After the concrete has set, remove any bracing.

### Diagram



All dimensions are in millimetres (mm) unless specified.

If you require further assistance, please contact your supplier.