

Parts List

Podium Post w/ Bracket (x1)

Podium Head (x1)

25 mm Pan Head Screw (x6)



Instructions

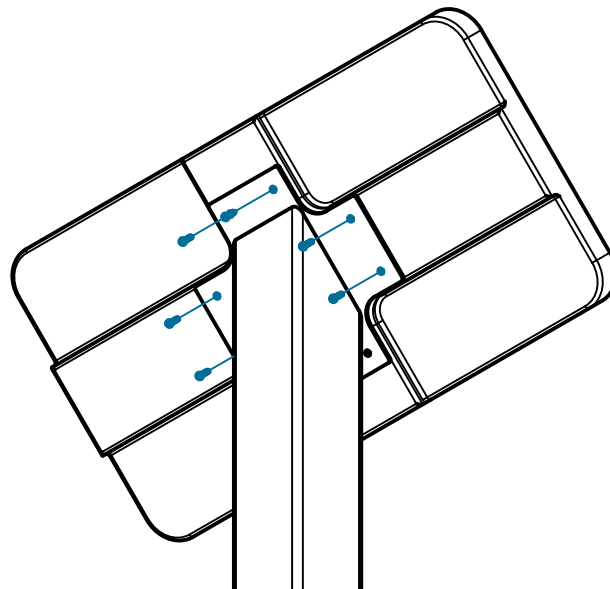
We recommend assembling our products on a flat surface, taking care not to damage the plastic.

Step 1: Align the bracket with the pre-drilled holes on the podium head.

Step 2: Attach the podium head to the post using the 6 pan head screws provided.

Step 3: Place the post into a hole approximately 500 mm deep & fill with concrete. We recommend that you check that the sign is level before holding in place with temporary bracing.

Diagram



All dimensions are in millimetres (mm) unless specified.

If you require further assistance, please contact your supplier.

Ver 1 -