

Parts List

Posts (x2)
Planks (x1+)
75 mm Bugle Screw (x2 Per Plank)



Instructions

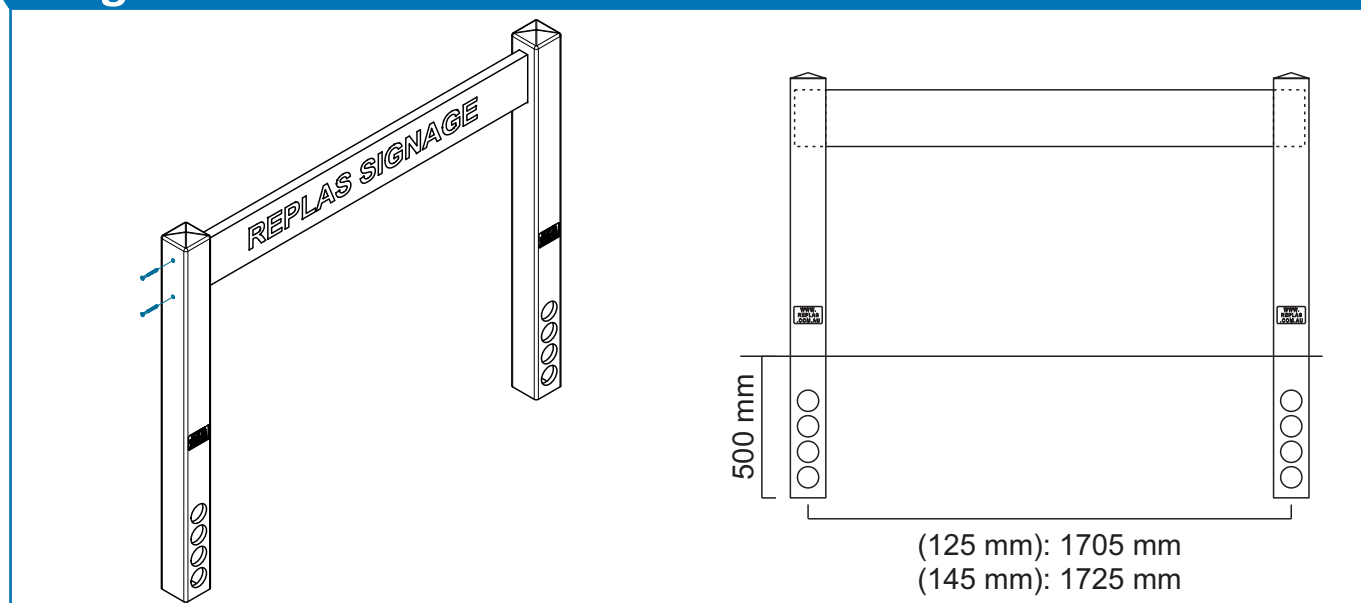
We recommend assembling our products on a flat surface, taking care not to damage the plastic.

Step 1: Place the profiles in to the slotted bollards. Matching the pre-drilled end into the pre-drilled bollard.

Step 2: Insert and drive the supplied bugle screws into the post & plank.

Step 3: Place the posts into holes approximately 500 mm deep & fill with concrete. We recommend that you check that the sign is level before holding in place with temporary bracing.

Diagram



All dimensions are in millimetres (mm) unless specified.

If you require further assistance, please contact your supplier.

Ver 1 -