

### Parts List

Hurdle - 250 mm

Hurdle - 400 mm



### Instructions

**We recommend assembling our products on a flat surface, taking care not to damage the plastic.**

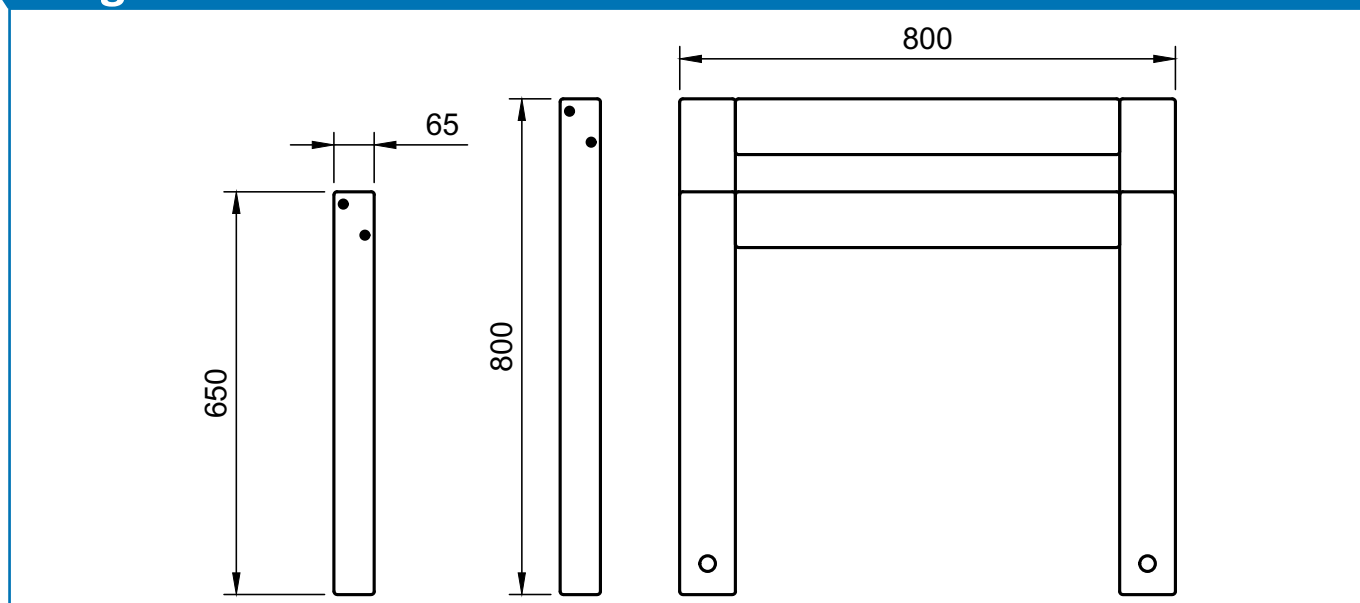
**Step 1:** Drill or dig holes approximately 400mm deep (depending on the height you want the Hurdle above the ground) at 710mm centres.

**Step 2:** Place the supports of the Hurdle into the holes. Ensure that each hurdle is well braced to prevent movement and sagging.

**Step 3:** Use a spirit level to check that the Hurdles are horizontal and the supports are vertical.

**Step 4:** Once satisfied that it is positioned correctly, fill the holes with concrete, making sure it is packed firmly around the supports. Once the concrete has set, remove the bracing.

### Diagram



All dimensions are in millimetres (mm) unless specified.

If you require further assistance, please contact your supplier.