

Parts List

Beachcomber Back (x1)
Beachcomber Base (x1)
Kakadu Support (x2)
75 mm Bugle Screw (x8)



Instructions

We recommend assembling our products on a flat surface, taking care not to damage the plastic.

Step 1: Place the two Kakadu supports standing upright approximately 700 mm apart.
Take note they may be marked L, R (Left, Right)

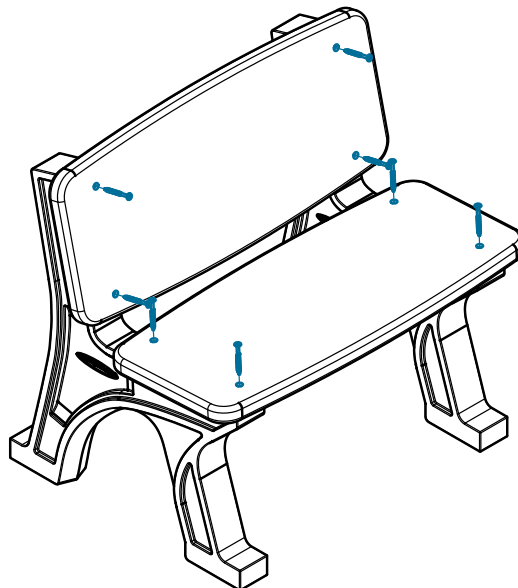
Step 2: Take the base of the seat and place it onto the supports so that the pre-drilled holes in the base align with the fixing holes in the supports.

Step 3: Drive in the 75 mm Bugles screws partially into the base. Do not tighten these fully yet.

Step 4: Repeat Steps 2 & 3 for the Back profile.

Step 5: Once all screws are in place, tighten fully. Be careful not to over-tighten as it may strip the thread.

Diagram



All dimensions are in millimetres (mm) unless specified.

If you require further assistance, please contact your supplier.

Ver 1 -