

Parts List

Balance Beam Plank - 1800 mm (x1)

Support Posts (x3)

65 mm Hex Screws (x12)



Instructions

We recommend assembling our products on a flat surface, taking care not to damage the plastic.

Step 1: Place Balance Beam upside down.

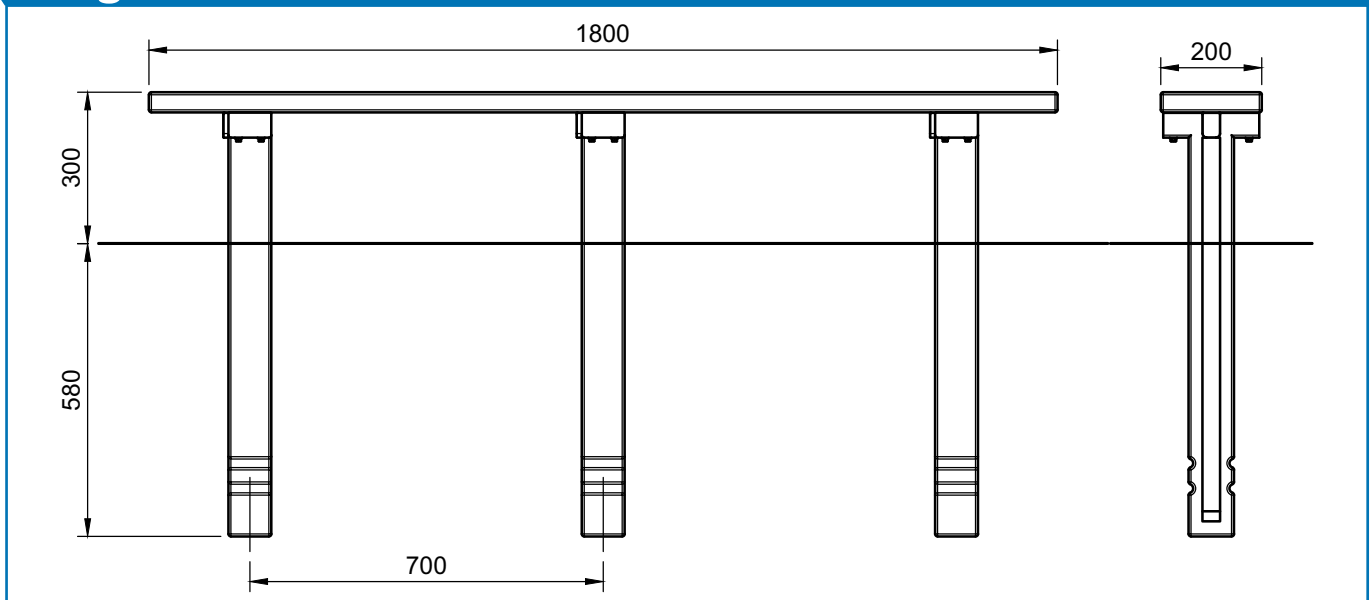
Step 2: Using the 65 mm Hex Head Screws supplied, screw supports onto Balance Beam taking care not to over tighten as this could strip the thread in the support.

Step 3: Drill or dig holes approximately 500 mm deep (depending on the height you want the balance beam above the ground) at 700 mm centres.

Step 4: Place the supports of the assembled balance beam into the holes. Place into position and ensure that it is well braced to prevent movement and sagging. At this stage it is important to use a spirit level to check that it is horizontal and the supports are vertical.

Step 5: Once satisfied that it is positioned correctly, fill the holes with concrete, making sure it is packed firmly around the supports. Once the concrete has set, remove the bracing.

Diagram



All dimensions are in millimetres (mm) unless specified.

If you require further assistance, please contact your supplier.