

Parts List

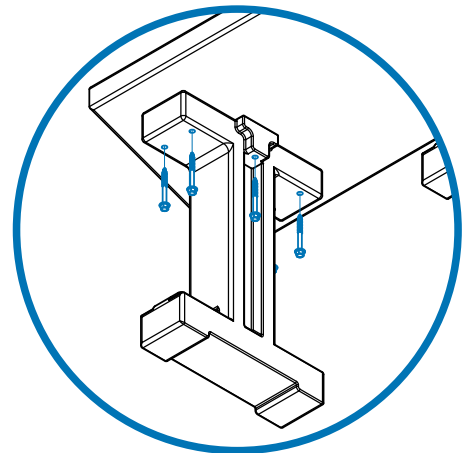
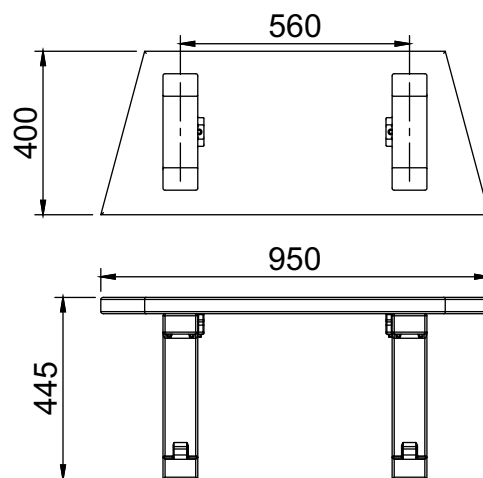
| |
|-----------------------------|
| Parkdale Bench Top (x1) |
| Bench Support (x2) |
| 75 mm Hex Head Screws (x10) |



Instructions

- Step 1** Turn bench top upside down on a clean flat surface.
- Step 2** Place supports over pre-drilled holes on the underside of the bench top.
- Step 3** Fix supports to the bench top using the 75 mm hex screws provided. (5 per support)
Take care not to over tighten screws as this could strip the plastic.
- Step 4** Turn bench over and place into position.

Diagram



All dimensions are in millimetres (mm) unless specified.

If you require further assistance, please contact your supplier.

Rev: 2