

Parts List

Table Top (x1)
Table Support (x1)
35 mm Hex Screw (x10)
Bench Top (x4)
Bench Support (x8)
75 mm Bugle Screw (x40)



Instructions

We recommend assembling our products on a flat surface, taking care not to damage the plastic.

Table

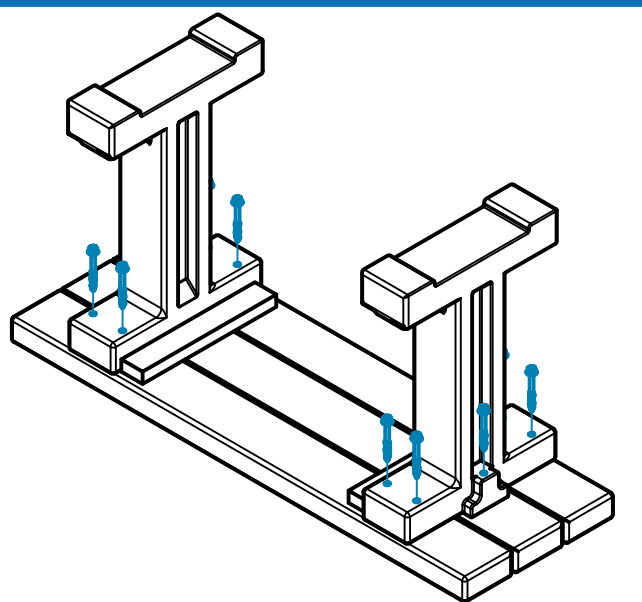
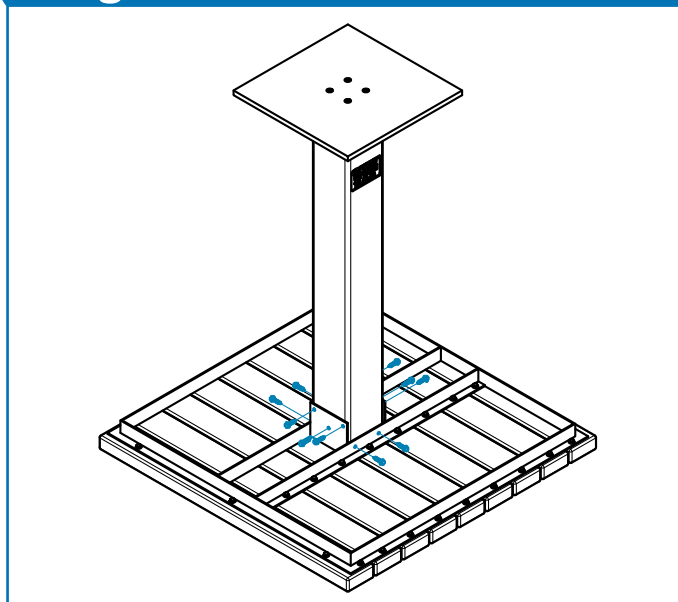
Step 1: Place the central table support into position and fix the mounting plate using the 10x35 mm hex screws. Ensure that the pre-drilled holes in the table support are aligned to the holes in the table frame.

Benches

Step 1: Place the supports into position on the bench over the pre-drilled holes.

Step 2: Secure the supports with the supplied 75 mm hex screws.

Diagram



All dimensions are in millimetres (mm) unless specified.

If you require further assistance, please contact your supplier.