

Parts List

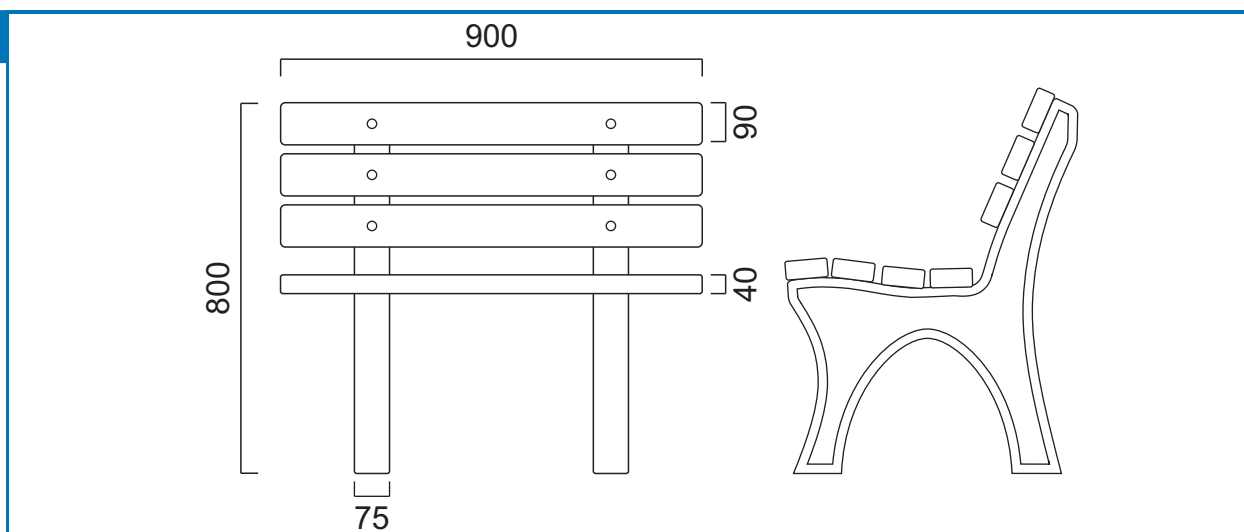
Seat Slat (x7)
Daintree Support (x2)
Bugle Screw 14g x 75 mm (x14)



Instructions

- Step 1** Using a 5 mm hexagonal drive, partly screw each slat onto the supports. Fixing the bottom slats first is recommended.
- Step 2** Ensure that the supports are vertical and slats are square with the supports.
- Step 3** Finally tighten all screws, taking care not to over tighten as this could strip the screws.

Diagram



All dimensions are in millimetres (mm) unless specified.

If you require further assistance, please contact your supplier.

Rev: 3