

Instructions

Step 1: After assembly, drill or dig holes as per the installation diagram. We recommend allowing an additional 100 mm on the sides and bottom of the holes to allow for a suitable amount of concrete.

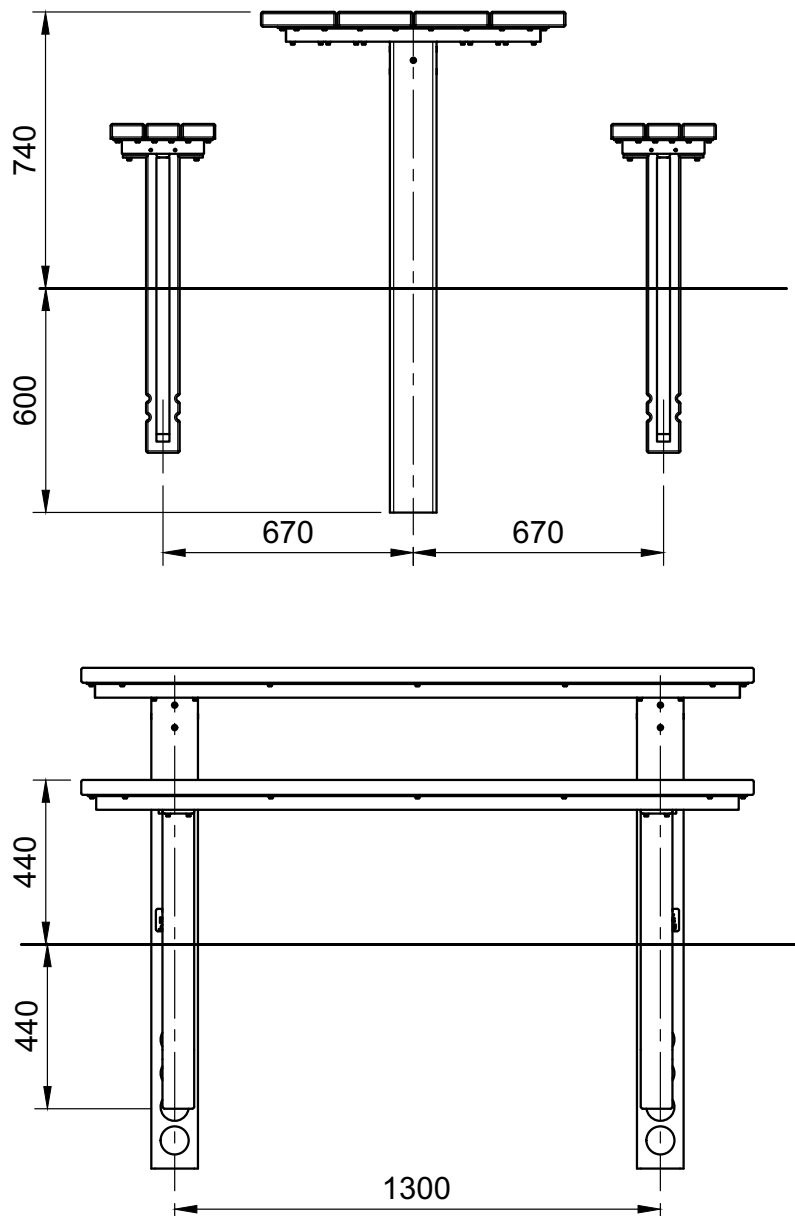
Step 2: Place the supports into the holes & position as per the installation diagram & brace the supports to prevent movement during install & setting of the concrete.

Step 3: Use a spirit level to ensure the setting is level & supports are vertical, make adjustments where necessary.

Step 4: Once positioned correctly, fill the holes with concrete, making sure it is packed firmly around the supports.

Step 5: After the concrete has set, remove any bracing.

Diagram



All dimensions are in millimetres (mm) unless specified.

If you require further assistance, please contact your supplier.