

### Parts List

Table Top (x1)
Table Support (x3)
Table Cross-Arm (x1)
75 mm Bugle Screw (x5)
100 mm Bugle Screw (x6)
125 mm Bugle Screw (x6)



### Instructions

We recommend assembling our products on a flat surface, taking care not to damage the plastic.

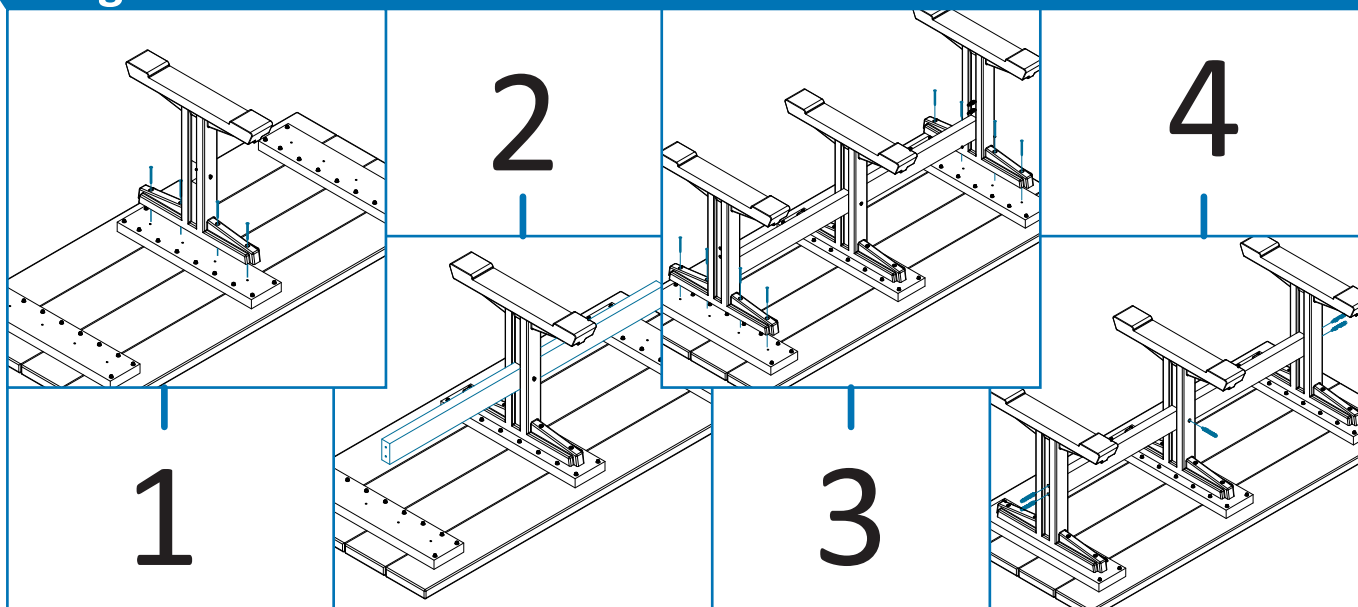
**Step 1:** Place the central table support into position and fix the mounting plate using the 2x125 mm bugle screws in the central holes and the 2x100 mm bugle screws in the outer holes.

**Step 2:** Place the cross-arm through the slot in the table support loosely, then place the two outer table supports into position on the mounting plates. Ensure that the outside table supports have the counter sunk holes facing outwards.

**Step 3:** Secure the outer supports to the mounting plates the same way as step 2.

**Step 4:** Once the supports are in position, fix the cross arm to the outer table supports using the 75 mm bugle screws provided. Once fixed to the outer supports, use a 4.5 mm drill bit to drill a pilot hole into the centre support and secure the cross-arm using the remaining 75 mm bugle screws.

### Diagram



All dimensions are in millimetres (mm) unless specified.

If you require further assistance, please contact your supplier.

### Parts List

Bench Top (x1)
Bench Support (x2) / (x3) / (x5)
75 mm Hex Screw (x8) / (x15) / (x25)



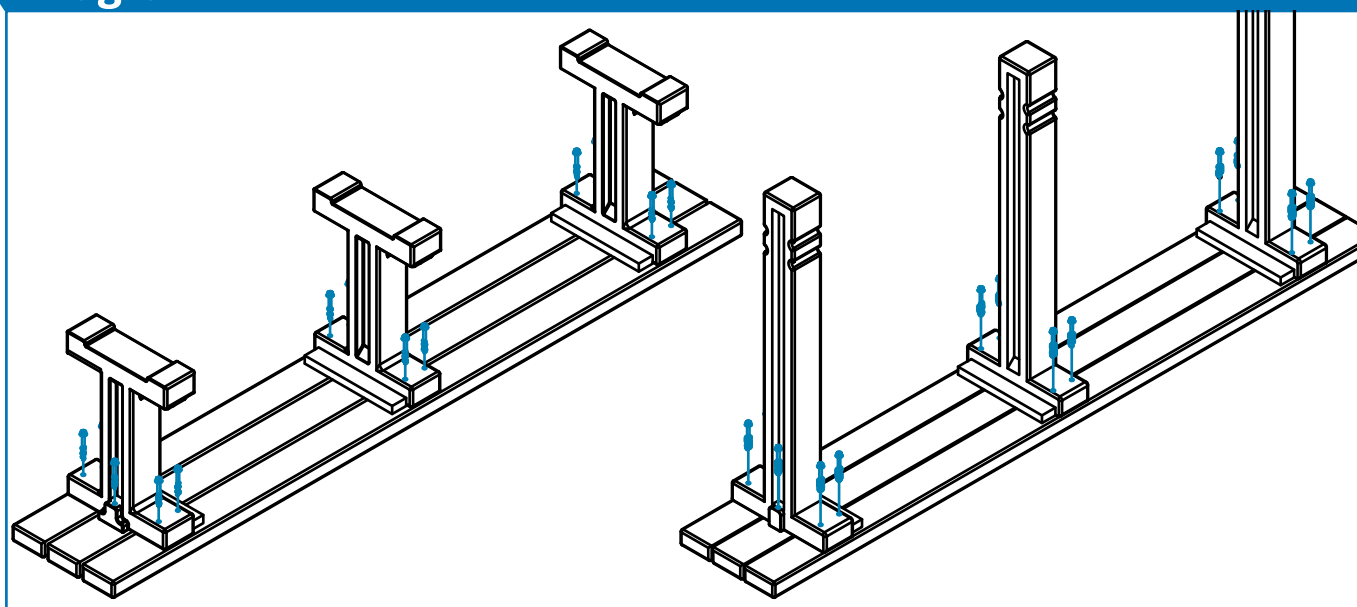
### Instructions

We recommend assembling our products on a flat surface, taking care not to damage the plastic.

**Step 1:** Place the supports into position on the bench over the pre-drilled holes.

**Step 2:** Secure the supports with the supplied 75 mm hex screws.

### Diagram



All dimensions are in millimetres (mm) unless specified.

If you require further assistance, please contact your supplier.