

Parts List

Table Top (x1)
Table Support (x2)
50 mm Bugle Screw (x12)



Instructions

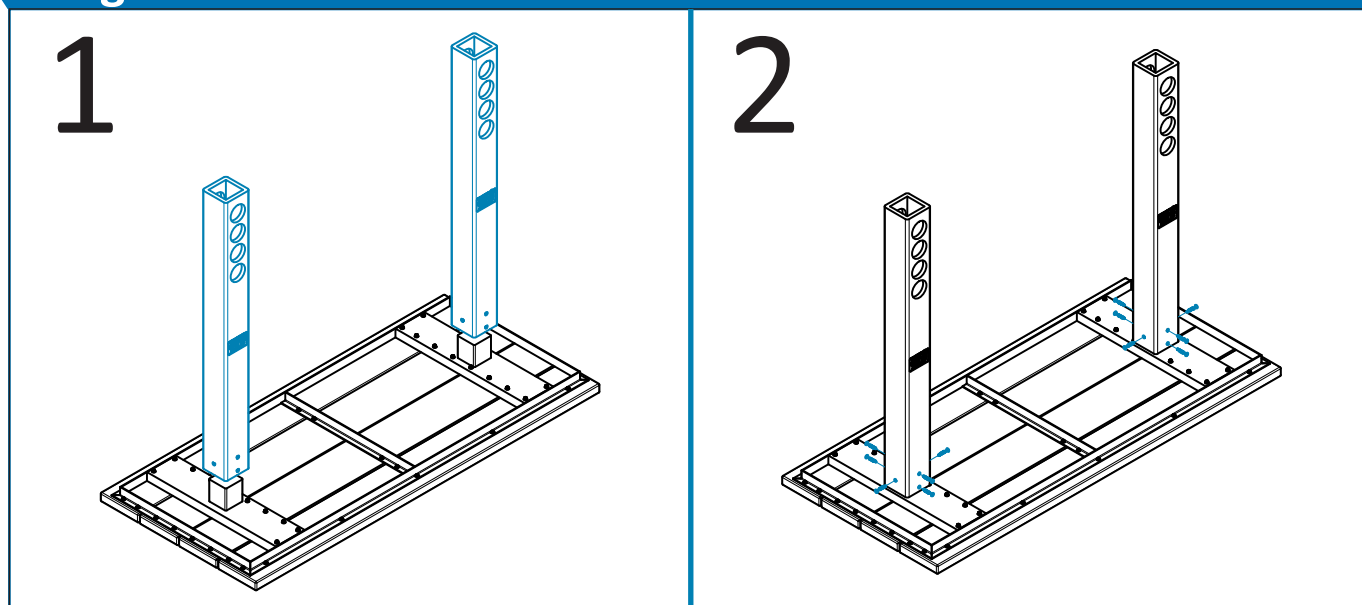
We recommend assembling our products on a flat surface, taking care not to damage the plastic.

Step 1: Place the supports into position on the pre-mounted blocks. and

Step 2: Fix the supports using the supplied 50 mm bugle screws.

For a step by step guide on installation refer to the products installation instructions.

Diagram



All dimensions are in millimetres (mm) unless specified.

If you require further assistance, please contact your supplier.

Parts List

Bench Top (x1)
Bench Support (x2) / (x3) / (x5)
75 mm Hex Screw (x8) / (x15) / (x25)



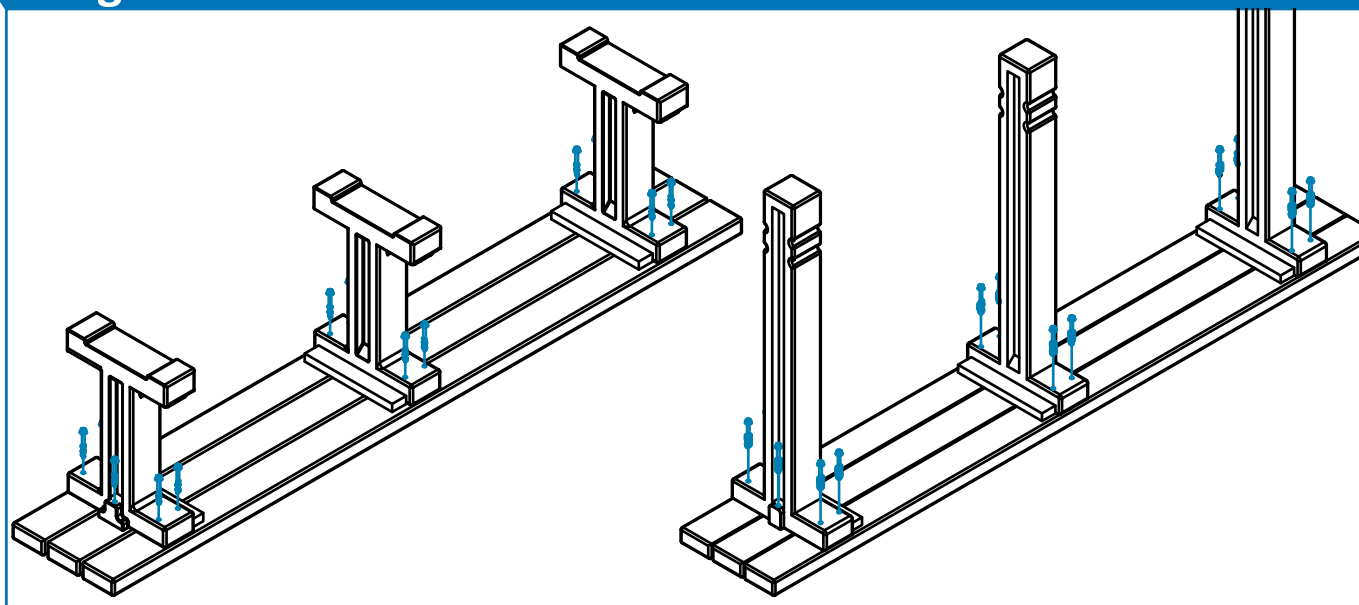
Instructions

We recommend assembling our products on a flat surface, taking care not to damage the plastic.

Step 1: Place the supports into position on the bench over the pre-drilled holes.

Step 2: Secure the supports with the supplied 75 mm hex screws.

Diagram



All dimensions are in millimetres (mm) unless specified.

If you require further assistance, please contact your supplier.