

### Parts List

Table Top (x1)
Table Support (x2)
Table Cross-Arm (x1)
75 mm Bugle Screw (x4)
100 mm Bugle Screw (x4)
125 mm Bugle Screw (x4)



### Instructions

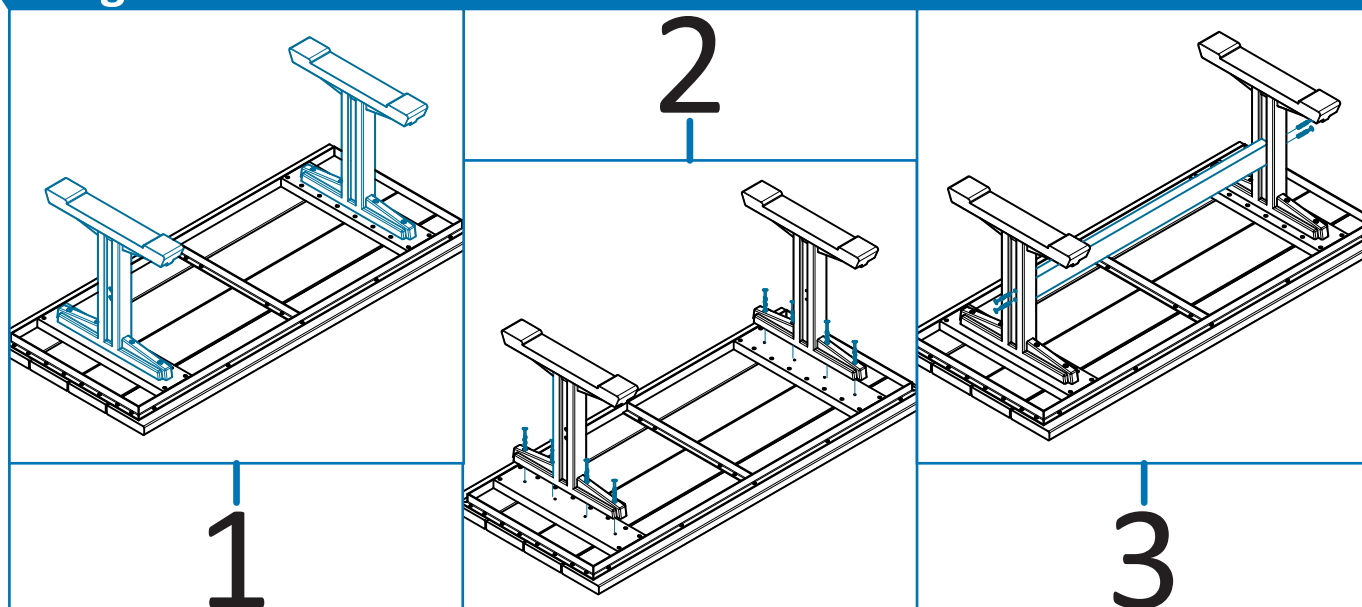
We recommend assembling our products on a flat surface, taking care not to damage the plastic.

**Step 1:** Place the table supports into position, aligning the fixing holes in the supports with the pre-drilled holes in the support mounting plate. Ensure that the counter sunk cross-arm fixing holes are facing outwards.

**Step 2:** Secure the table supports to the mounting plate by fixing 2x100 mm bugle screws in the outer holes of each support. Then fixing 2x125 mm bugle screws in the inner fixing holes. (Closer to the support upright)

**Step 3:** Place the table support cross-arm into position and fix with 2x75 mm bugle screws in each end through the supports.

### Diagram



All dimensions are in millimetres (mm) unless specified.

If you require further assistance, please contact your supplier.

### Parts List

Bench Top (x1)
Bench Support (x2) / (x3) / (x5)
75 mm Hex Screw (x8) / (x15) / (x25)



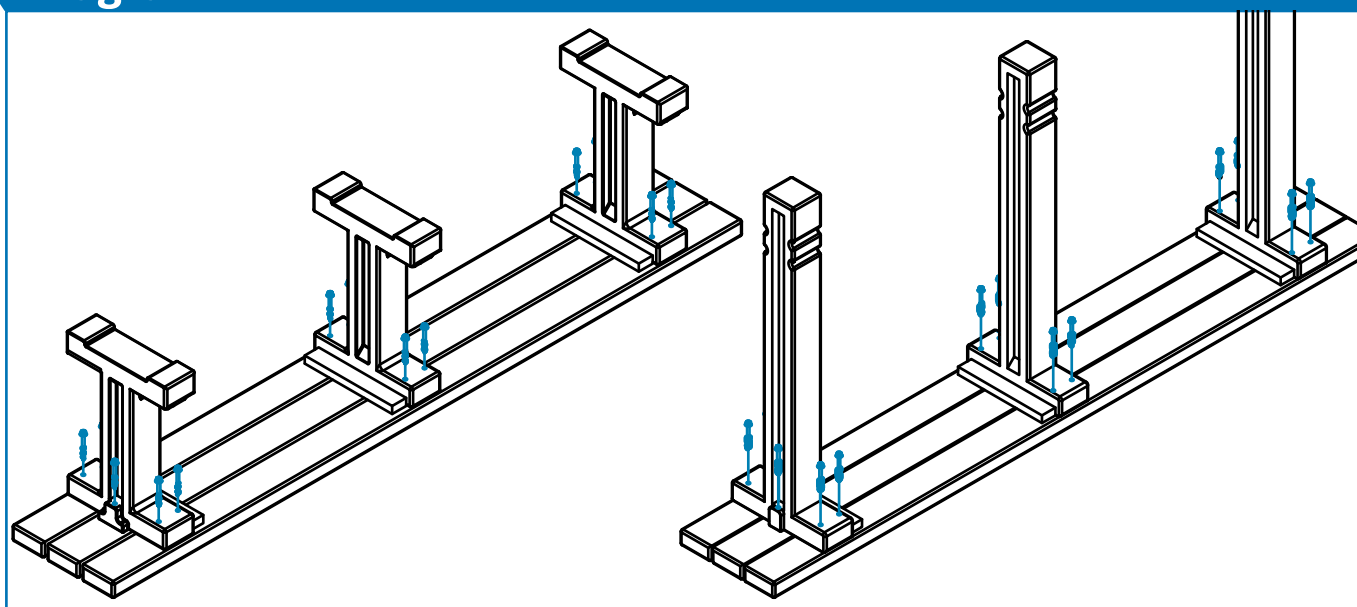
### Instructions

We recommend assembling our products on a flat surface, taking care not to damage the plastic.

**Step 1:** Place the supports into position on the bench over the pre-drilled holes.

**Step 2:** Secure the supports with the supplied 75 mm hex screws.

### Diagram



All dimensions are in millimetres (mm) unless specified.

If you require further assistance, please contact your supplier.