

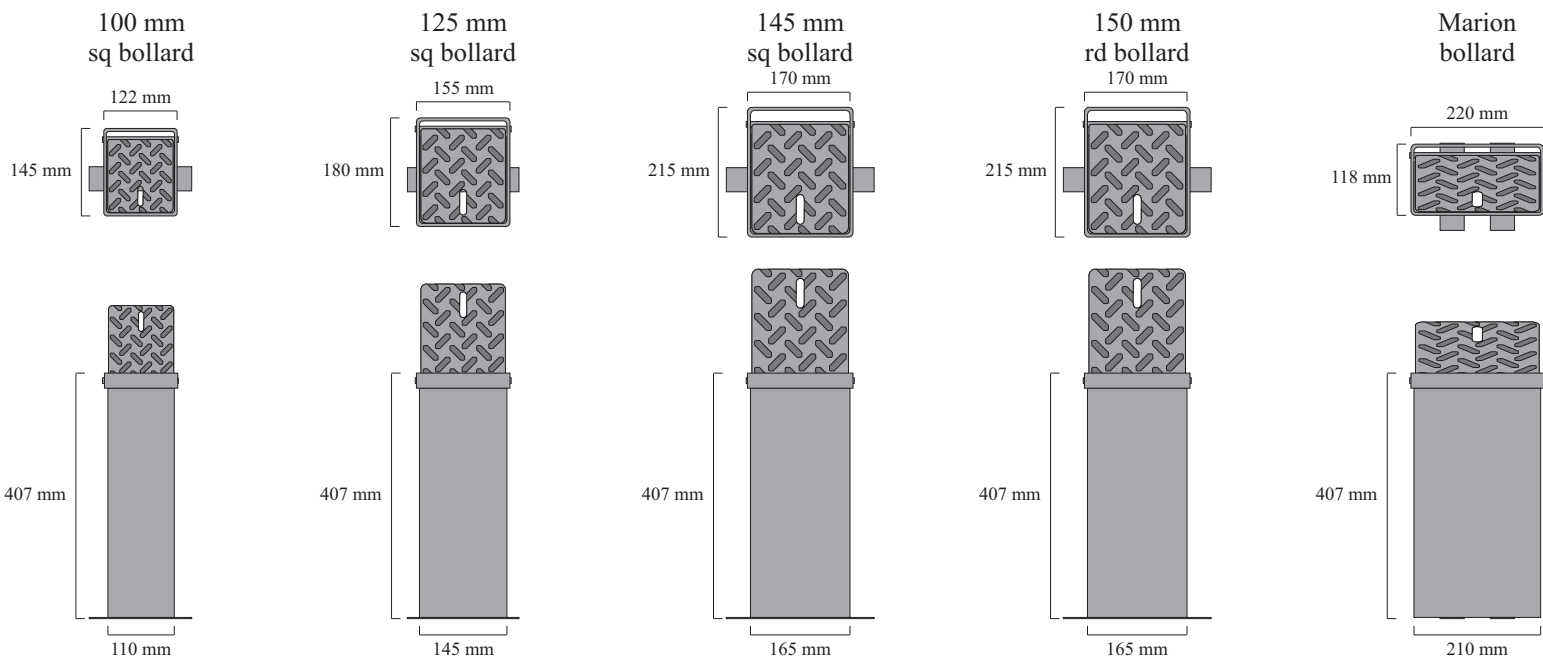
# Bollard Sleeve

## Specifications

Do you need to remove bollards occasionally to allow vehicle or pedestrian access?

Replas bollard sleeves are available for both square and round posts.

The easy-to-install galvanised steel bollard sleeves feature a locking system that is simple to use yet very secure.



Made from galvanised steel, the hinged sleeves are highly durable and help create a flexible solution for your boundary.

