

# 100mm Bollard

## Standard Modifications

Mod # 1: Single Reflector

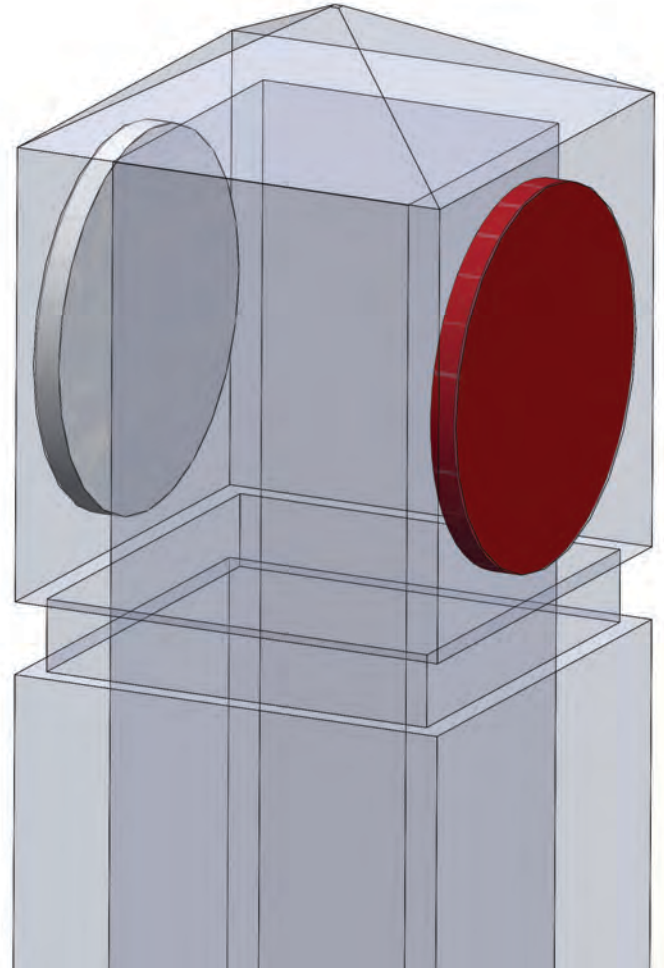
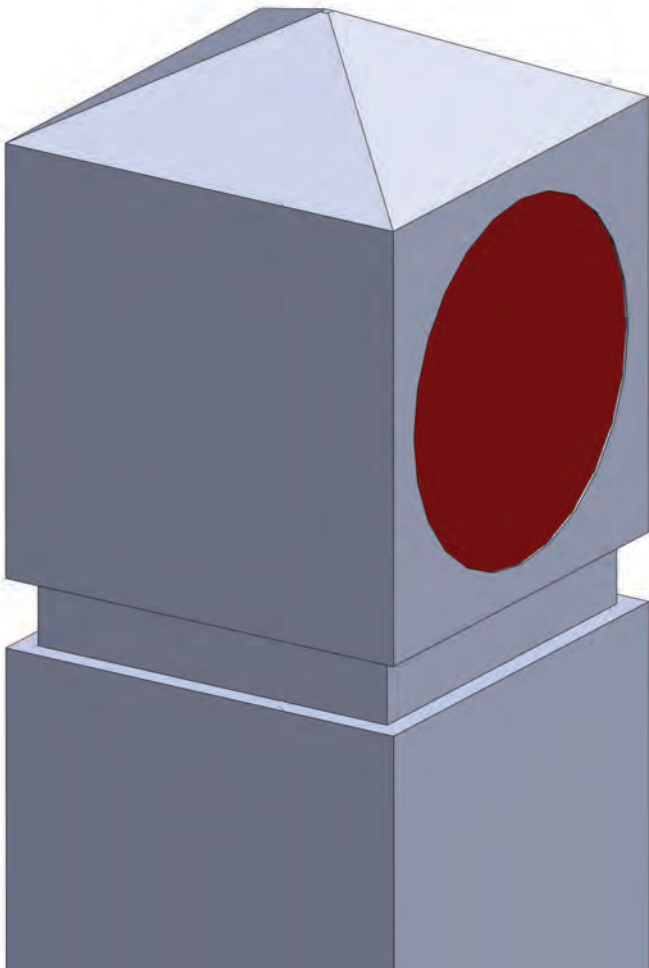
Mod # 2: Double Reflector - Opposite sides

*\*Refer to individual modification sheets for individual specifications*

*\*Collar route comes as standard on the 100mm Bollard*

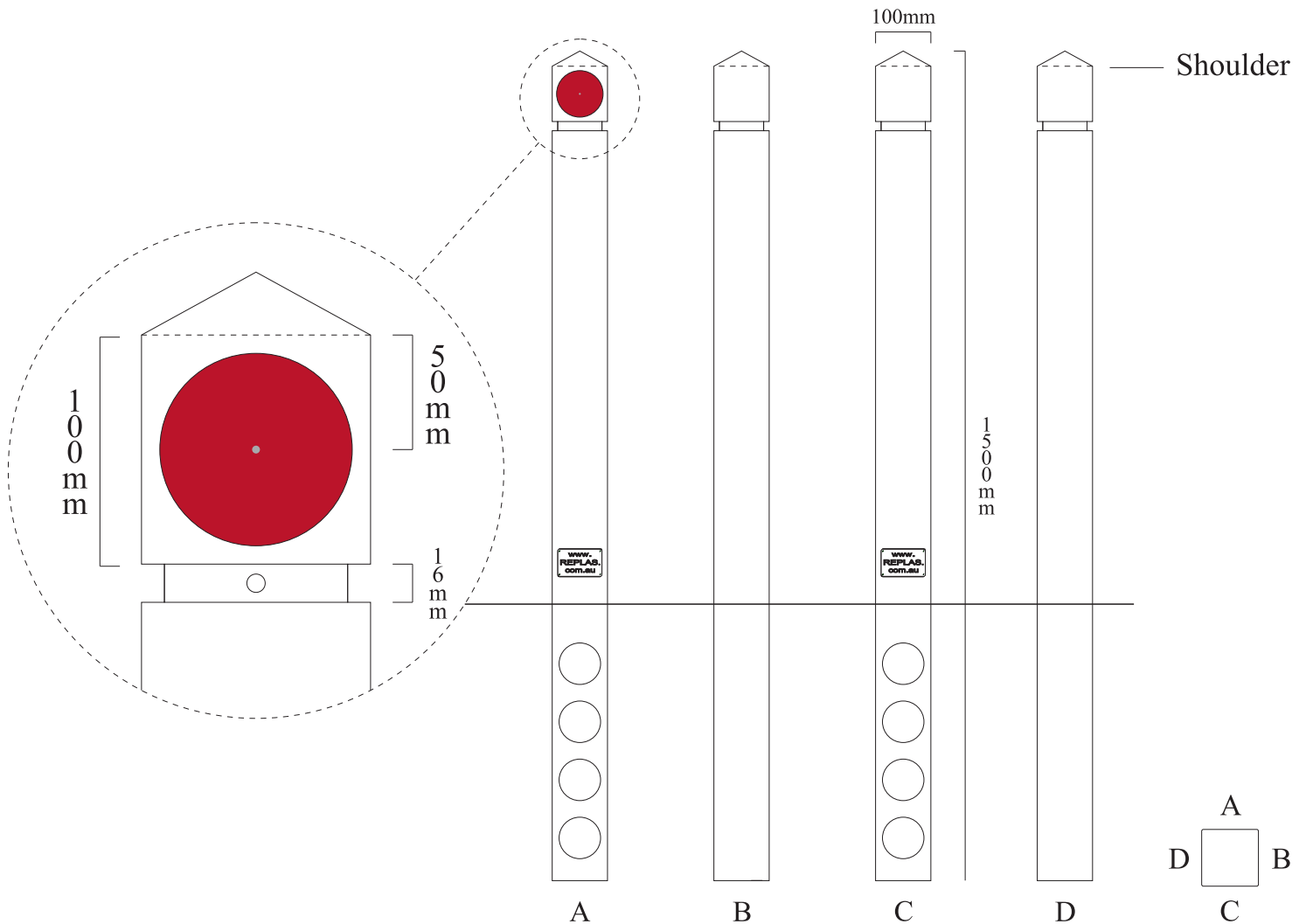
Mod  
# 1

Mod  
# 2



# Bollard Modification

## 100 mm Bollard - Modification #1



### Reflector

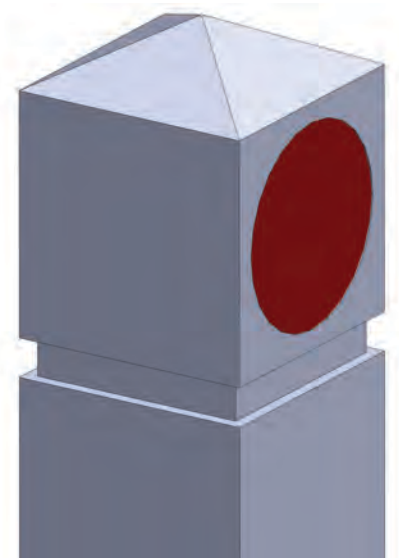
Distance from shoulder of bollard to centre of reflector: **50mm**

Reflector size: **84mm Round**

Reflector Colour: **Red**

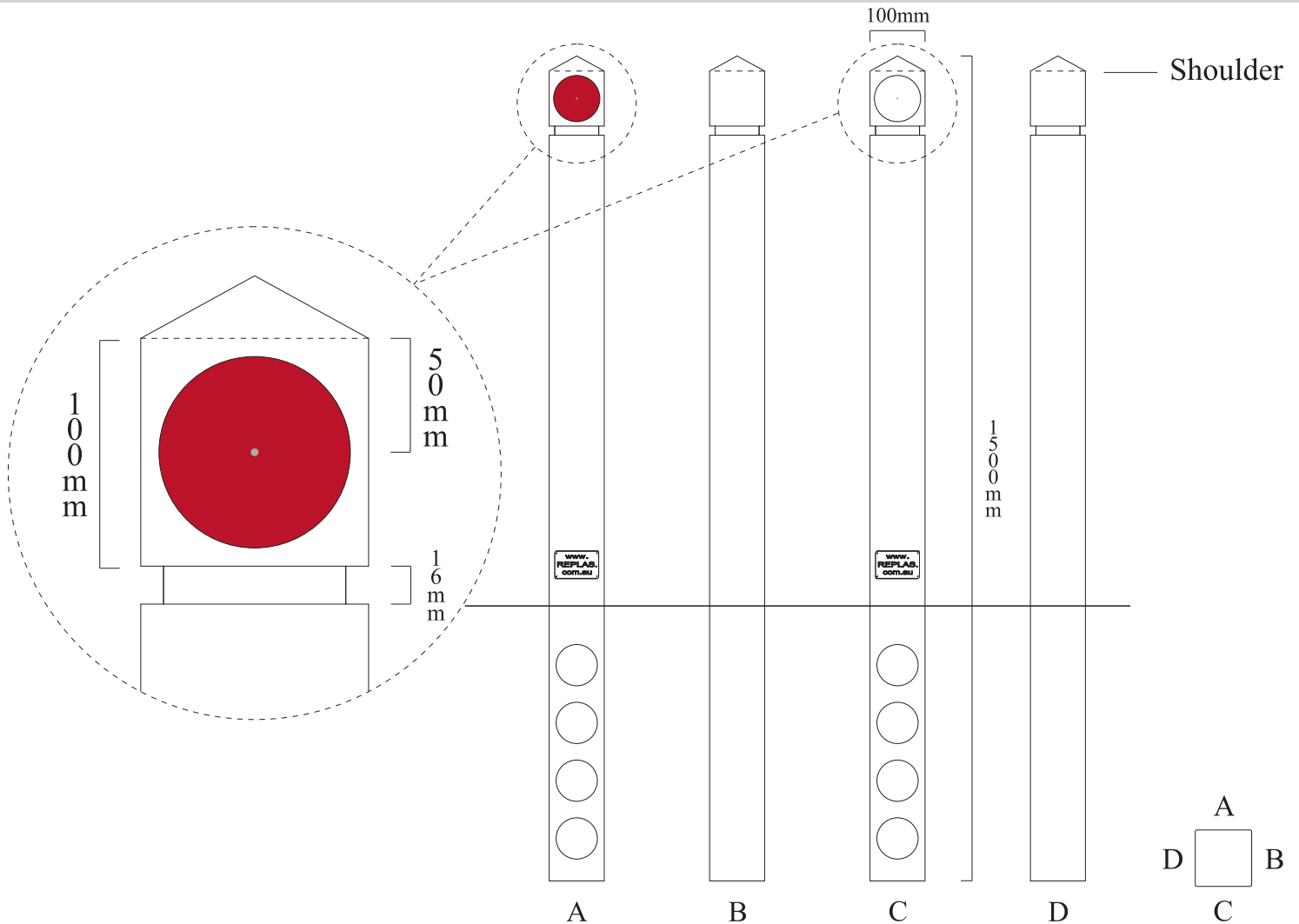
*\*Reflector is recessed into bollard and made flush to surface*

*\*Collar route comes as standard on the 100mm Bollard*



# Bollard Modification

## 100 mm Bollard - Modification #2



### Reflector

Distance from shoulder of bollard to centre of reflector: **50mm**

Reflector size: **84mm** Round

Reflector Colour: **Red** on side A. **White** on side C

*\*Reflector is recessed into bollard and made flush to surface*

*\*Collar route comes as standard on the 100mm Bollard*

