

ASSEMBLY INSTRUCTIONS

IMPORTANT: Please read carefully before assembling.

PREMIER SETTING 1.8m Free Standing



1. Place Table & Bench tops face down on a flat surface.
2. Place supports inside metal frame.
NOTE: Ensure that the Table Supports have the counter sink holes facing outwards on the support upright
3. Using the 75mm bugle screws supplied, fit crossarm between the two table supports.
4. Using a 3.5mm drill bit, drill into the support through the pilot holes in the metal frame.
5. Using the 40mm Hex Screws supplied, screw support onto frame, taking care not to over tighten as this could strip the thread in the support.
6. Once all screws have been tightened, turn setting over and place into position.

COMPONENTS LIST

TABLE:

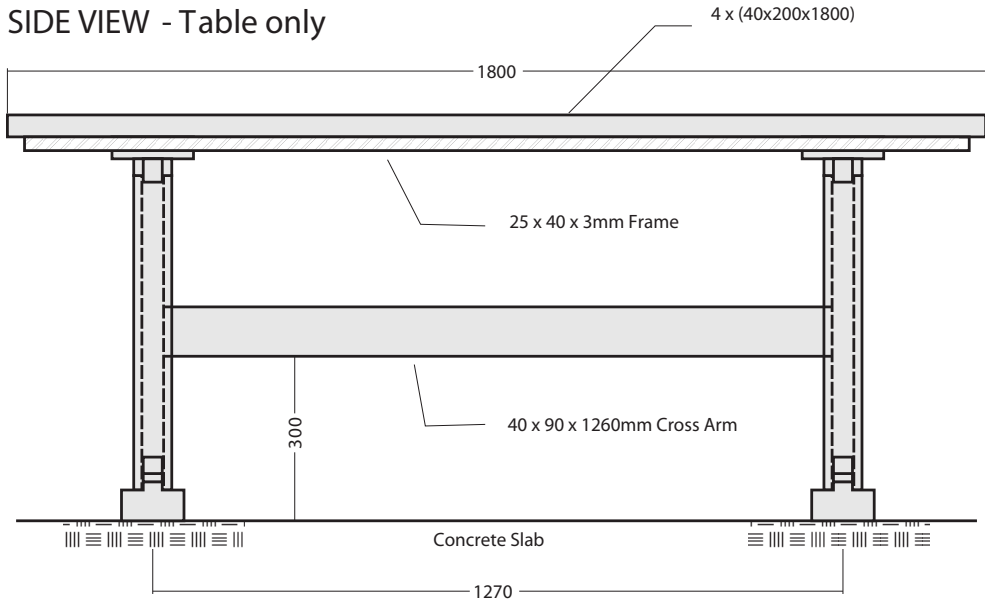
1 X Table Top - pre-assembled
2 X Table Supports
1 X Table Crossarm
4 X 14g x 75mm Bugle screws
16 X 12g x 40mm Hex Screws

BENCHES:

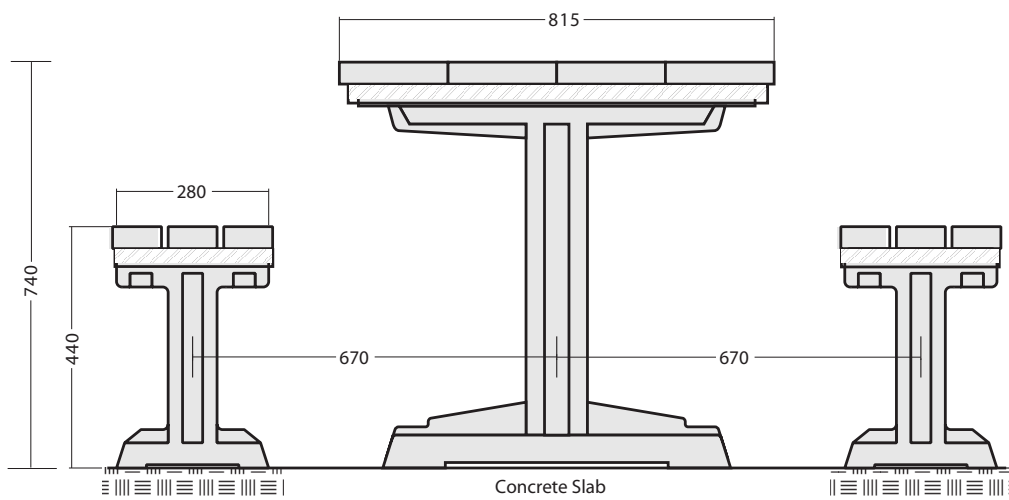
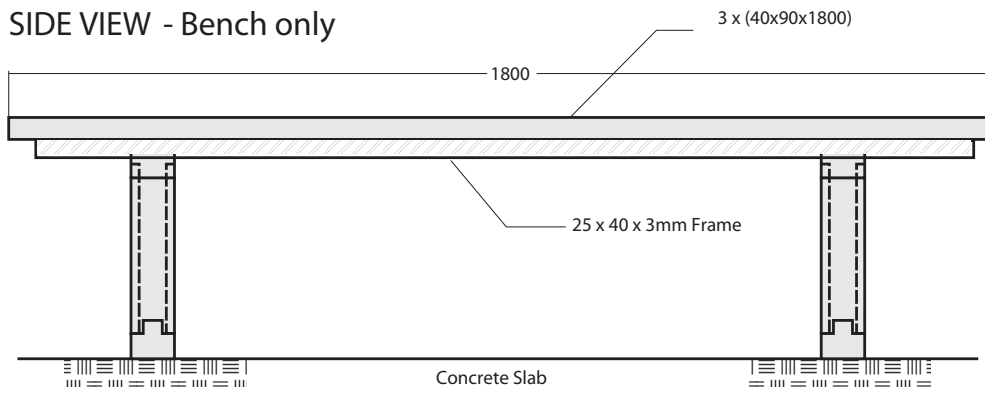
2 X Bench Tops - pre-assembled
4 X Bench Supports
24 X 12g x 40mm Hex Screws

If you require further installation assistance, please contact your supplier.

SIDE VIEW - Table only



SIDE VIEW - Bench only



PRS-1800 FS
PREMIER
FREE STANDING
SETTING



ASSEMBLY INSTRUCTIONS

IMPORTANT: Please read carefully before assembling.

PREMIER SETTING 1.8m In Ground



1. Place Table & Bench tops face down on a flat surface.
2. Place supports inside metal frame.
3. Using a 3.5mm drill bit, drill into the support through the pilot hole in the metal frame.
4. Using the 40mm Hex Screws supplied, screw support onto frame.

Installation

Once the setting has been assembled, drill or dig holes as per installation diagram.

Place the supports of the assembled setting into the holes. Position the setting and ensure that it is well braced to prevent movement and sagging. At this stage it is important to use a spirit level to check that the top is horizontal and the supports are vertical.

Once satisfied that the setting is positioned correctly, fill the holes with concrete, making sure it is packed firmly around the supports.

Once the concrete has set, remove the bracing.

COMPONENTS LIST

TABLE:

1 X Table Top - pre-assembled
2 X Table Supports
16 X 12g x 40mm Hex Screws

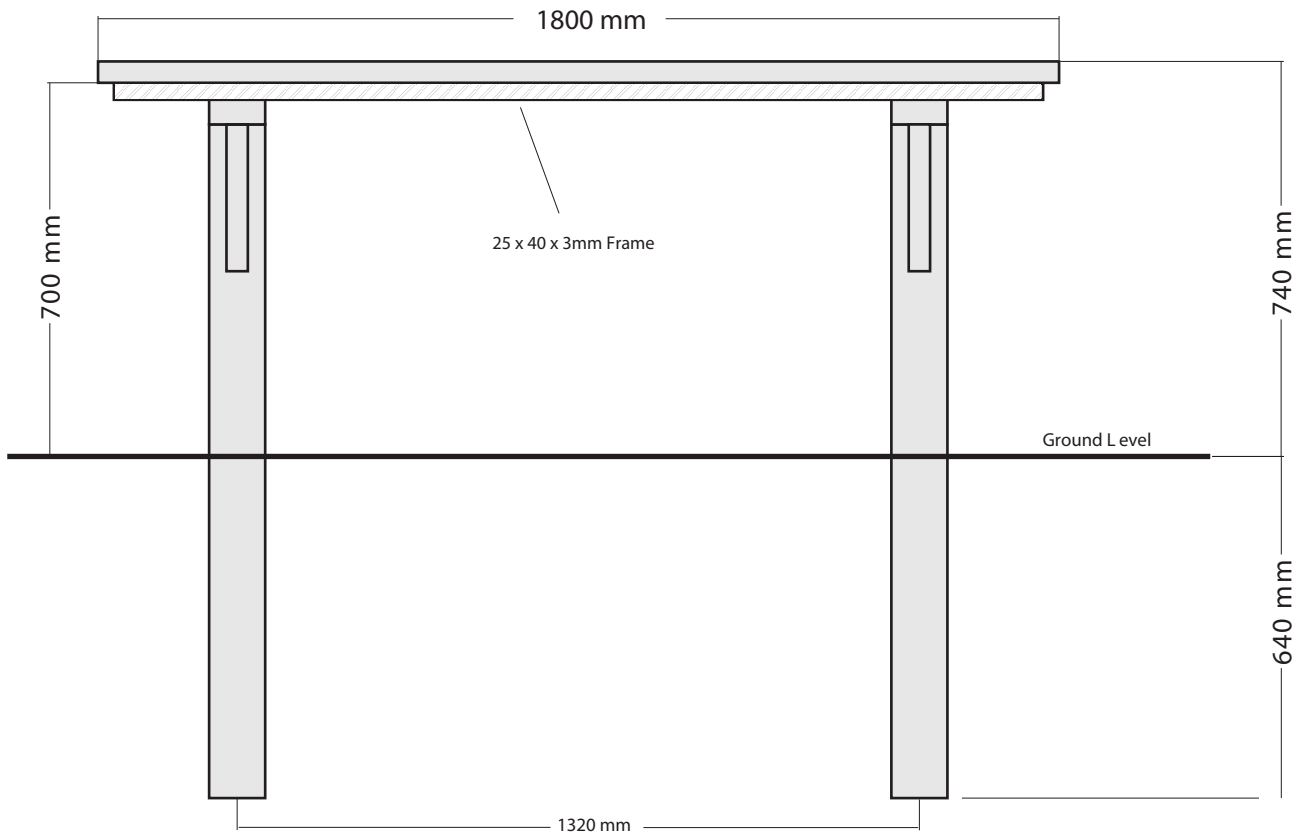
BENCHES:

2 X Bench Tops - pre-assembled
4 X Bench Supports
24 X 12g x 40mm Hex Screws

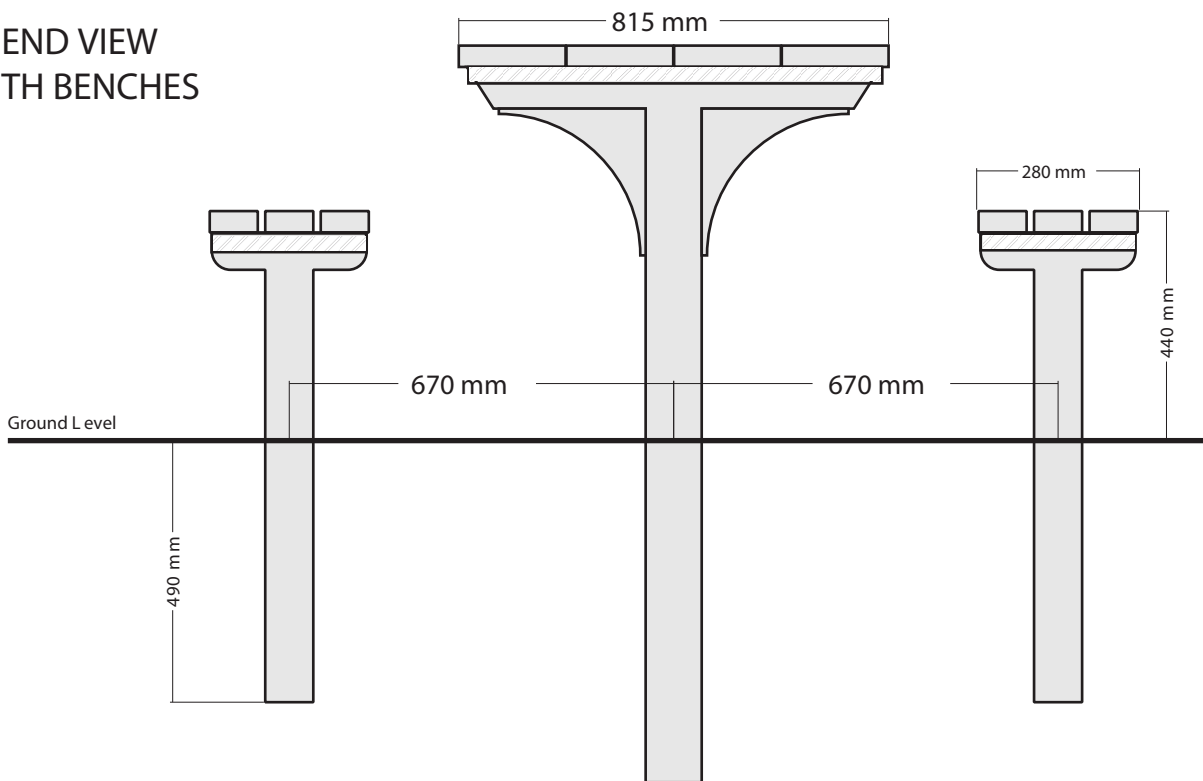
If you require further installation assistance, please contact your supplier.

www.replas.com.au

SIDE VIEW



END VIEW WITH BENCHES



PRS-1800IG
PREMIER
IN GROUND
SETTING