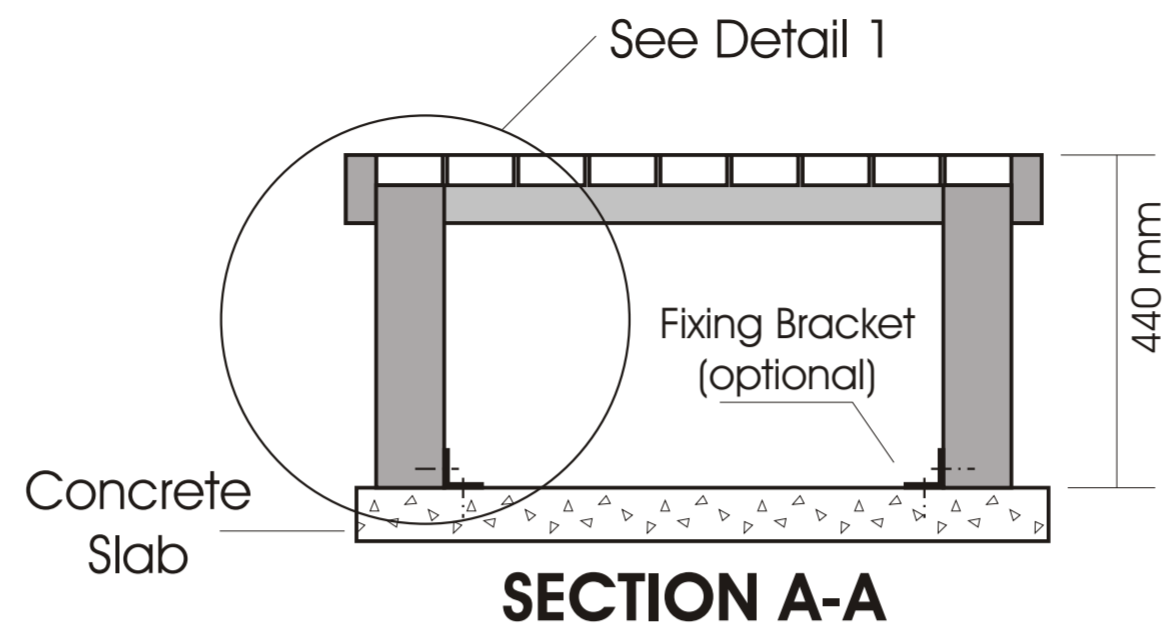


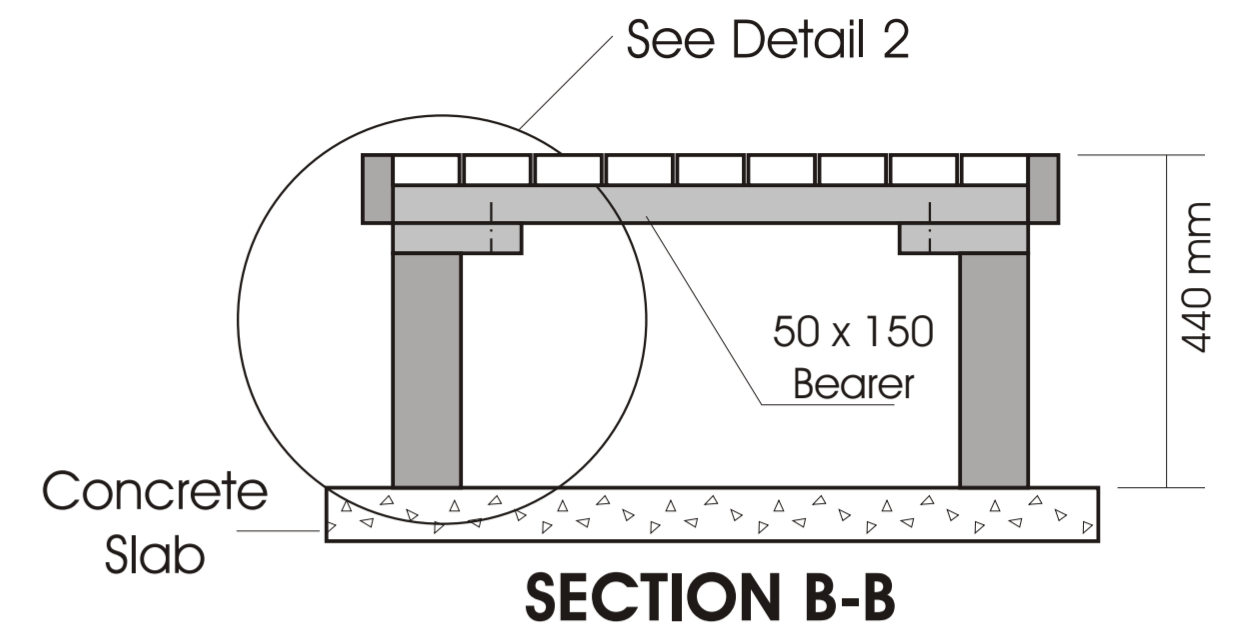
TOP VIEW WITHOUT PLANKS



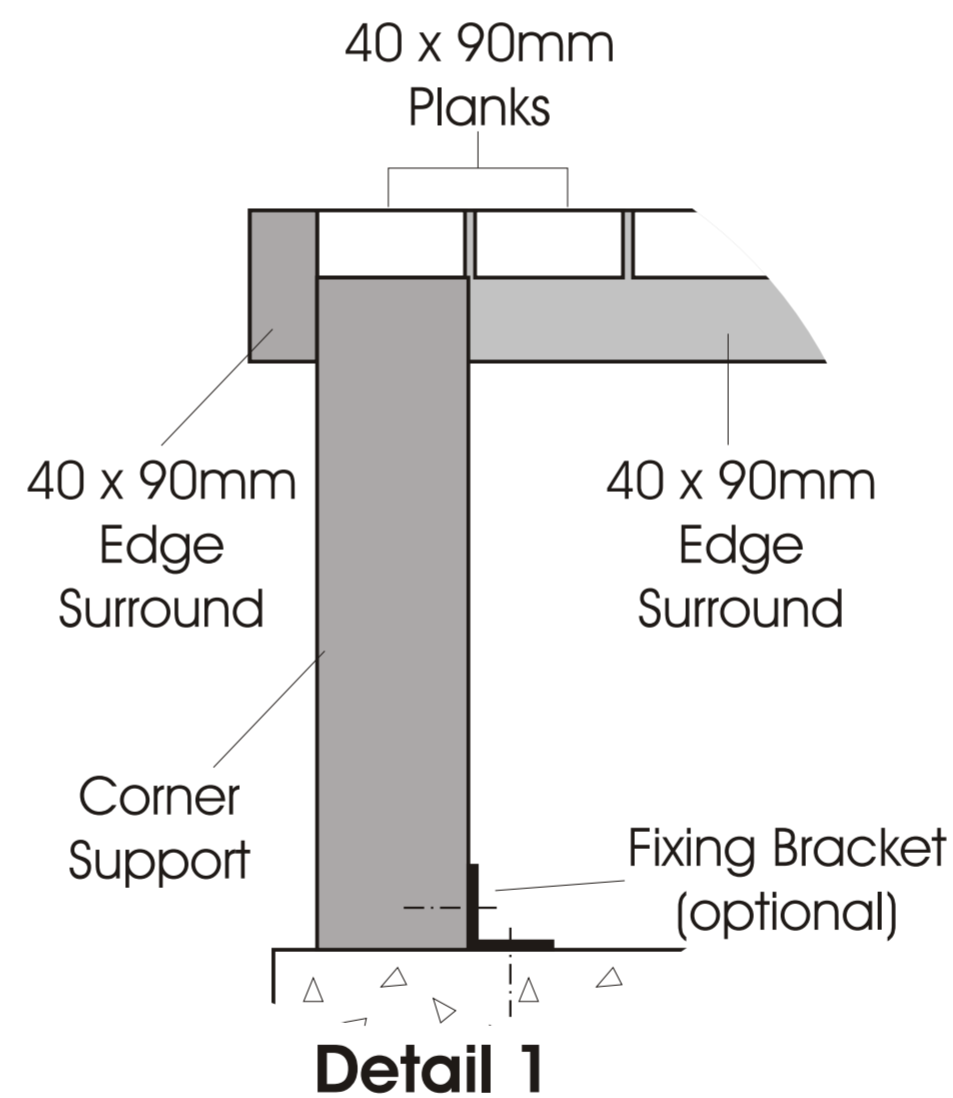
TOP VIEW



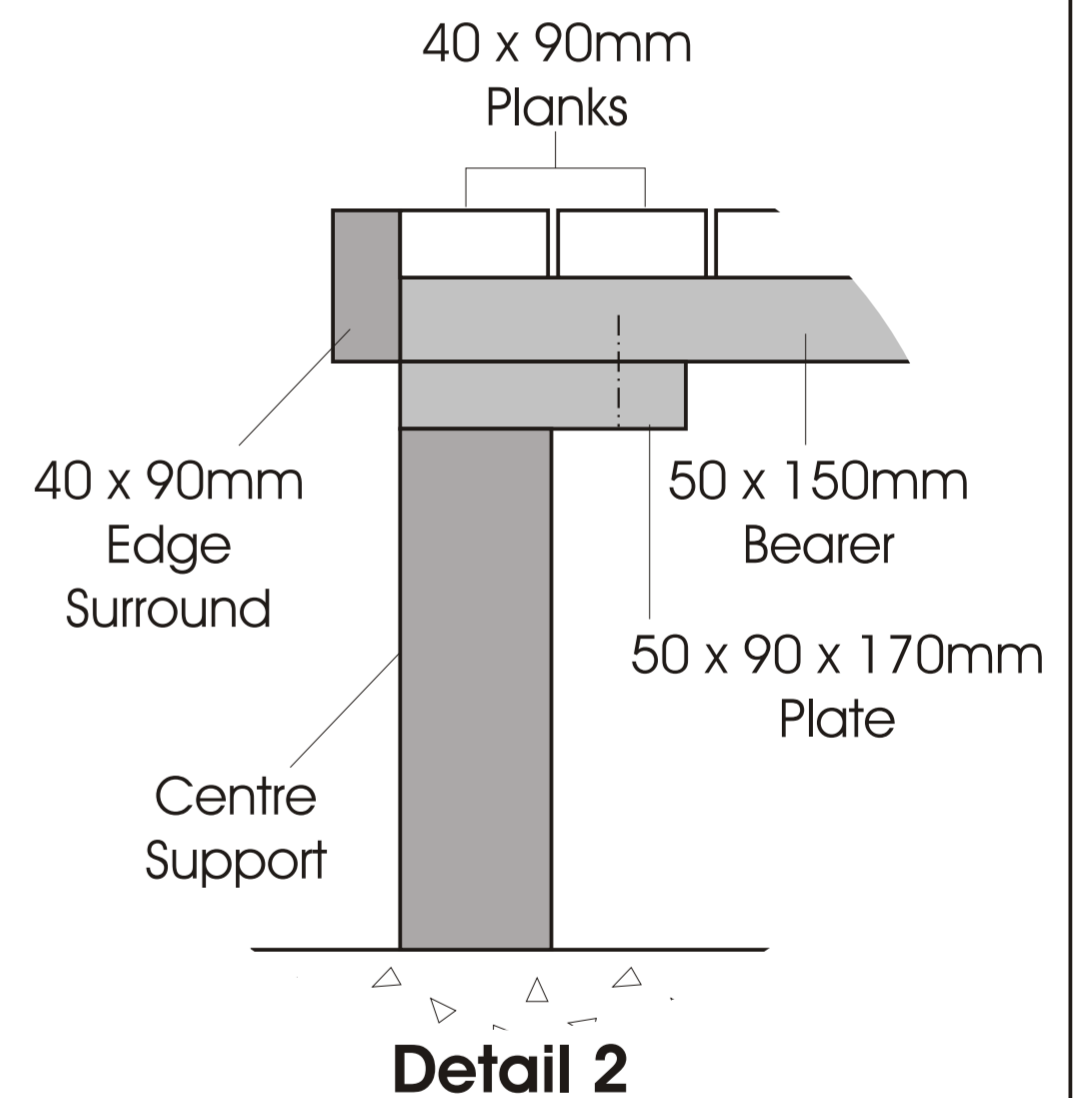
SECTION A-A



SECTION B-B



Detail 1



Detail 2

NOTES:

1. Material - Recycled Plastic
2. Planks screwed from underneath.
3. Bench top delivered fully assembled.
4. Supports to be attached on site using bugle head screws supplied.
5. Total weight 106kg.

PARTS:

- Bench Top
- Corner Support
- Centre Support

QTY

- 1#
- 4#
- 2#

**BIGBENCH - SMALL
(BB-900FS) ©**

EnviroPlas Products Pty Ltd

Drawn by Nicol CAD Graphics
1 December 2005