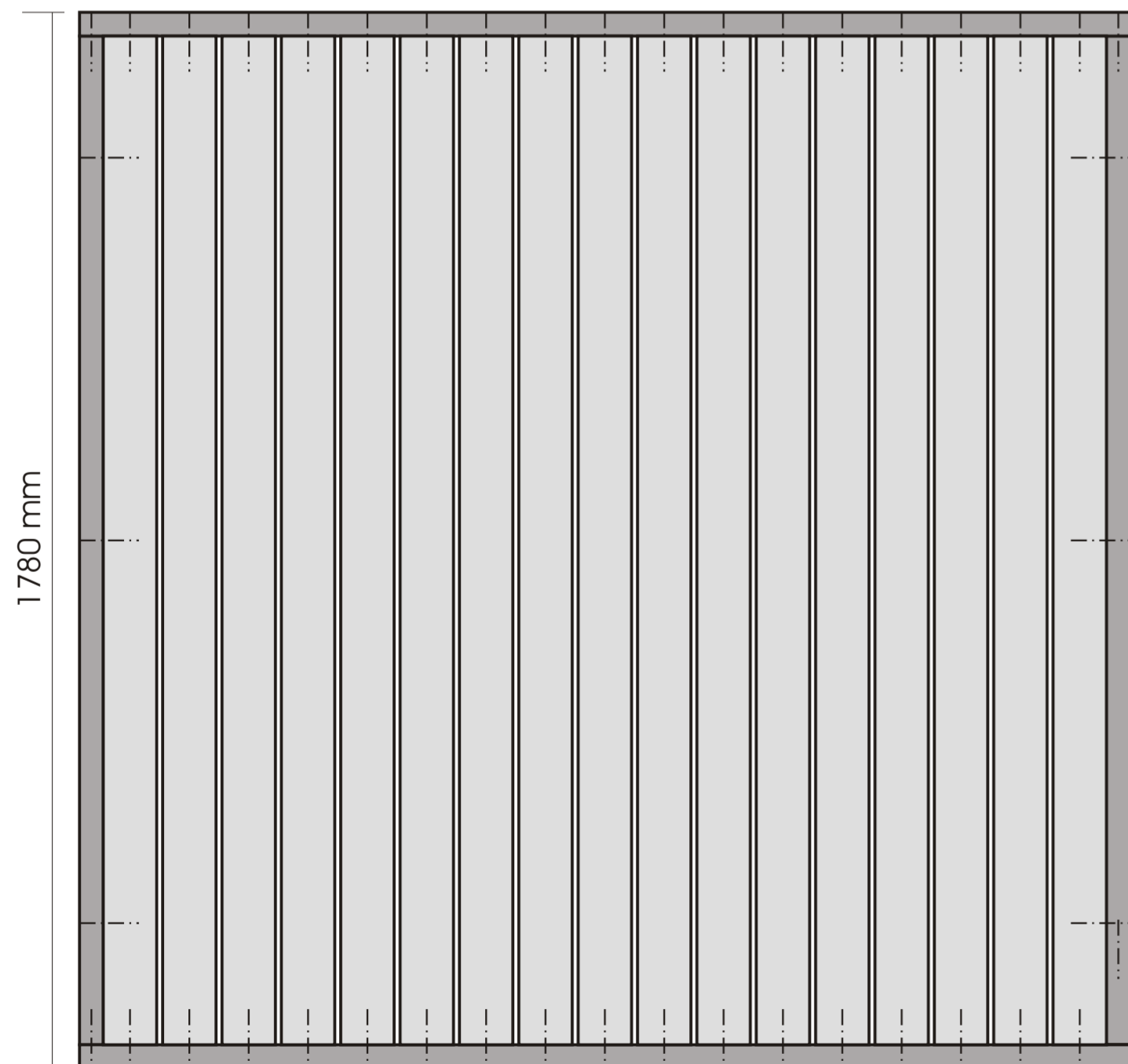


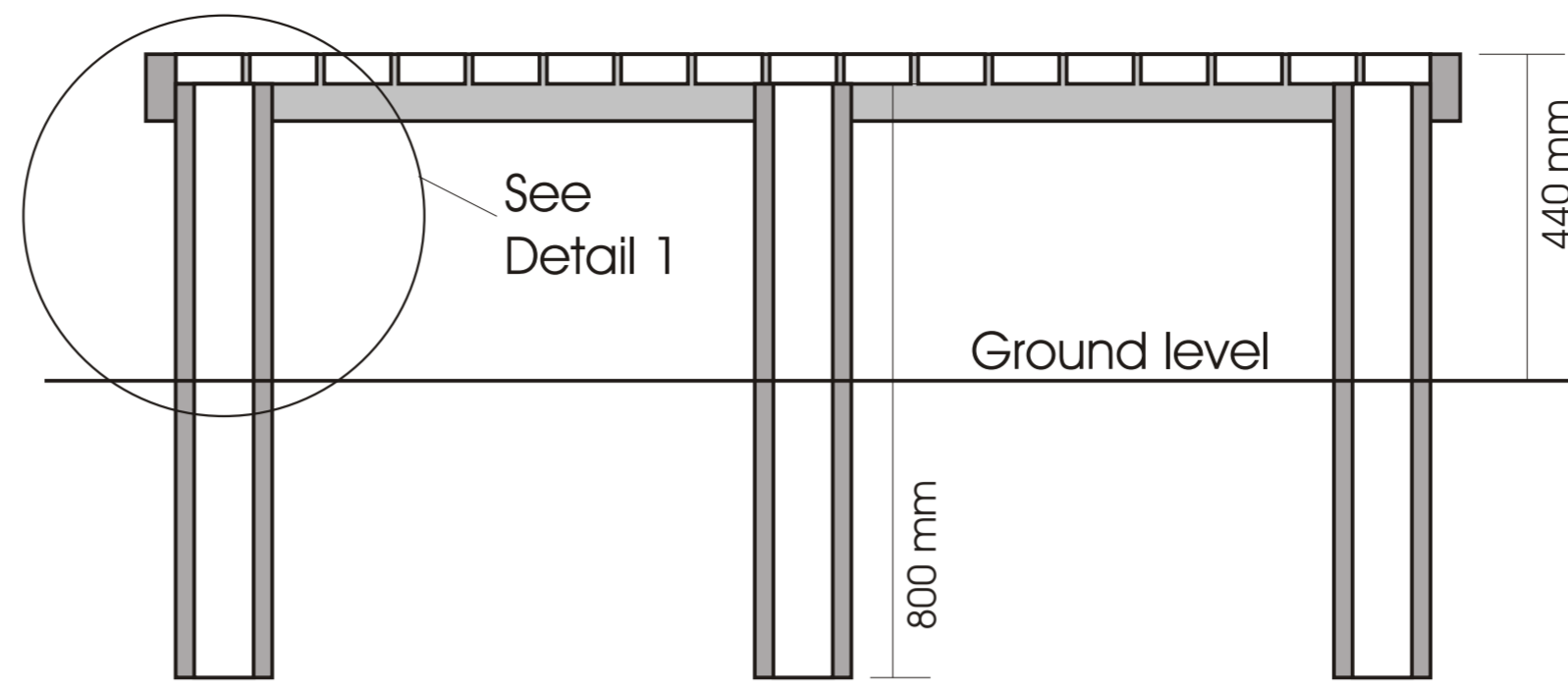
TOP VIEW WITHOUT PLANKS

1770 mm

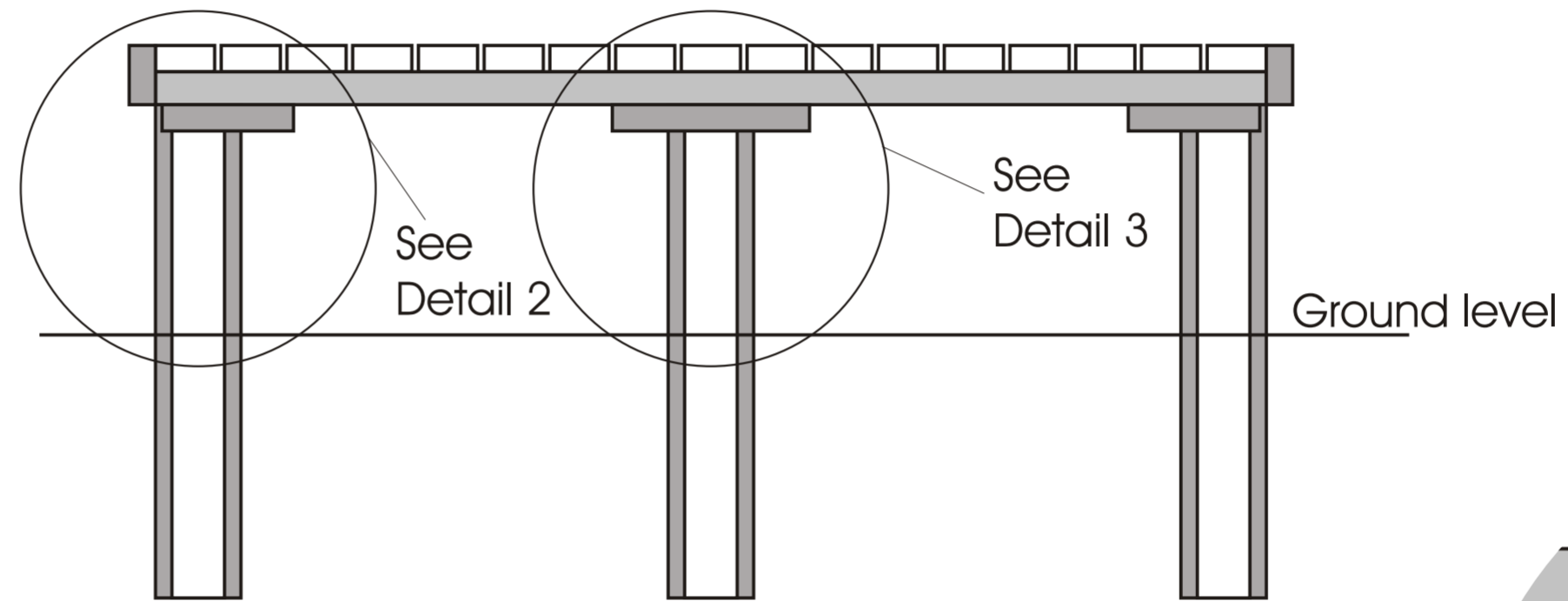


TOP VIEW

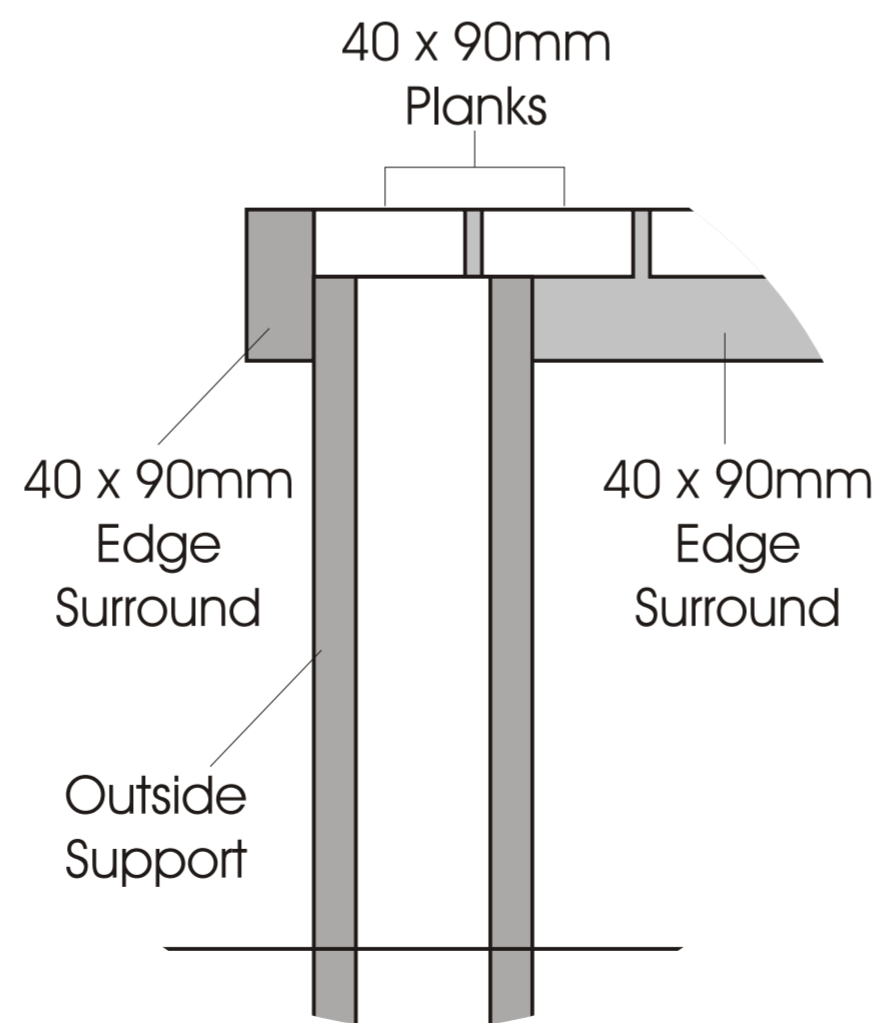
1780 mm



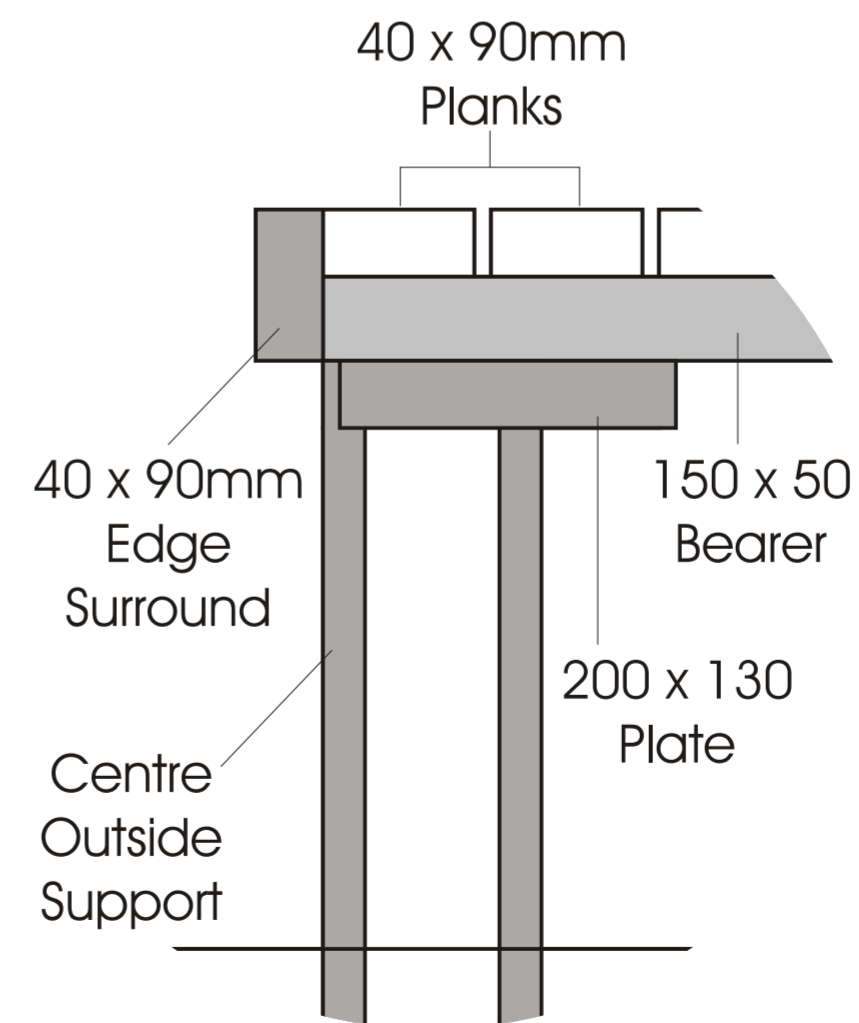
SECTION A-A



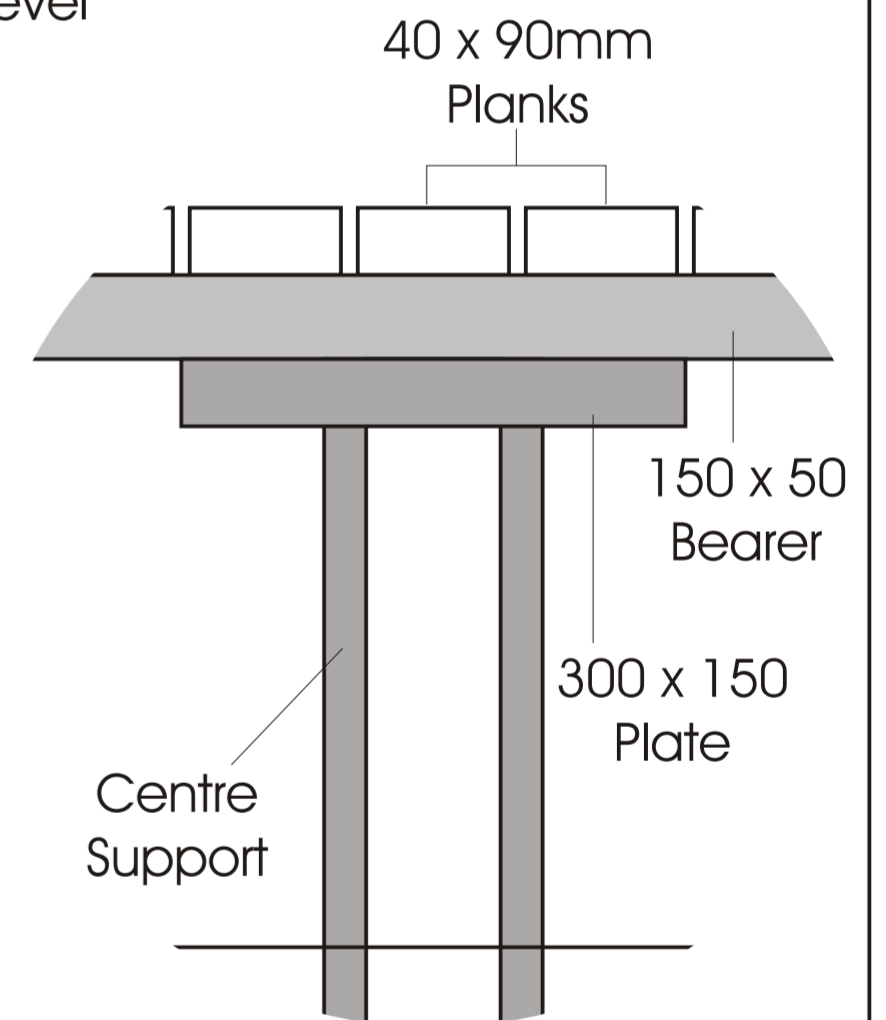
SECTION B-B



Detail 1



Detail 2



Detail 3

NOTES:

1. Material - Recycled Plastic
2. Planks screwed from underneath.
3. Bench top delivered fully assembled.
4. Supports to be attached on site using bugle head screws supplied.

PARTS:	QTY
Bench Top	1#
Outside Support	6#
Centre Outside Support	2#
Centre Support	1#

**THE BIGBENCH
(BB-1800IG)**

EnviroPlas Products Pty Ltd

Drawn by Nicol CAD Graphics
1 December 2005

