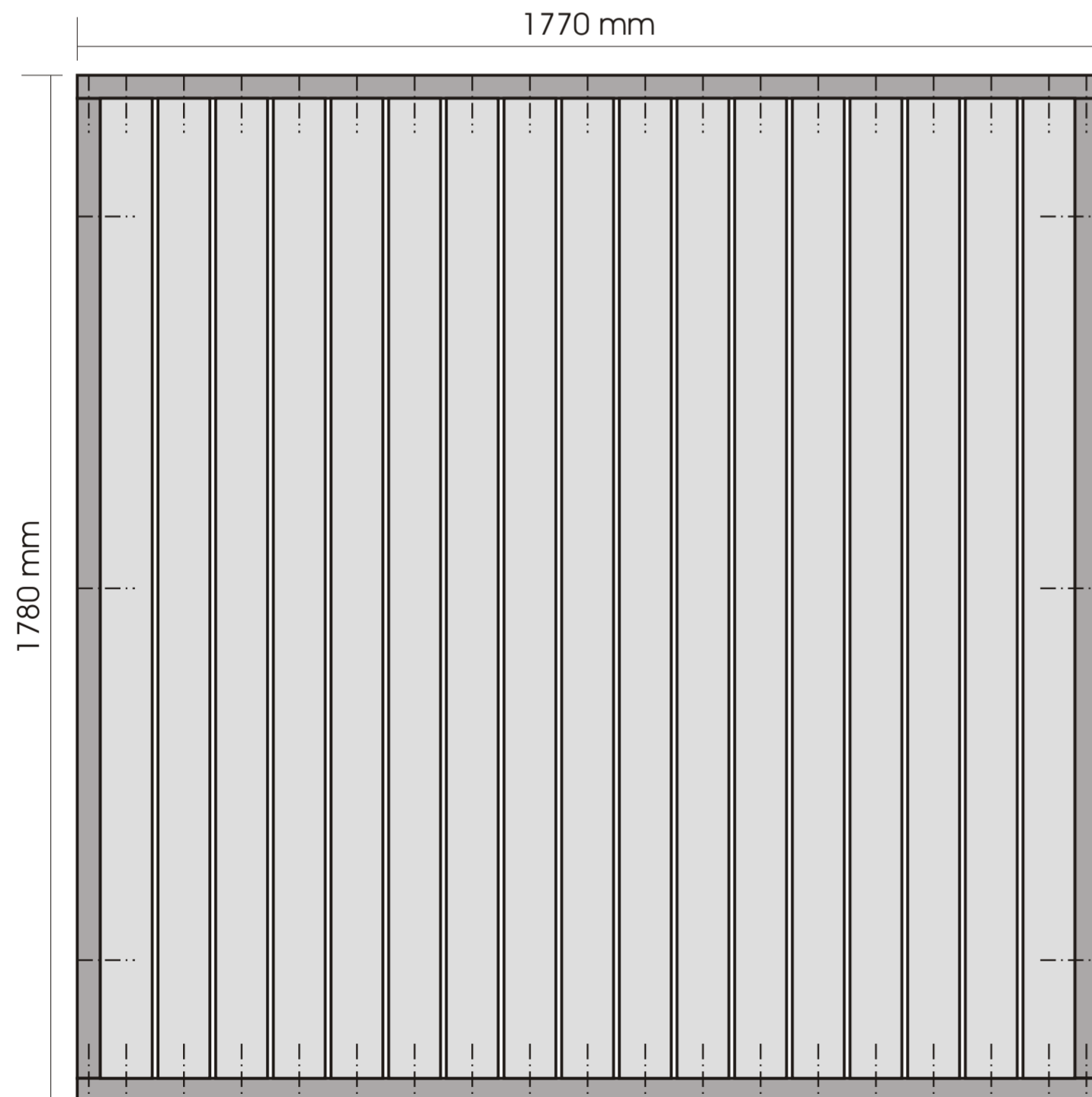
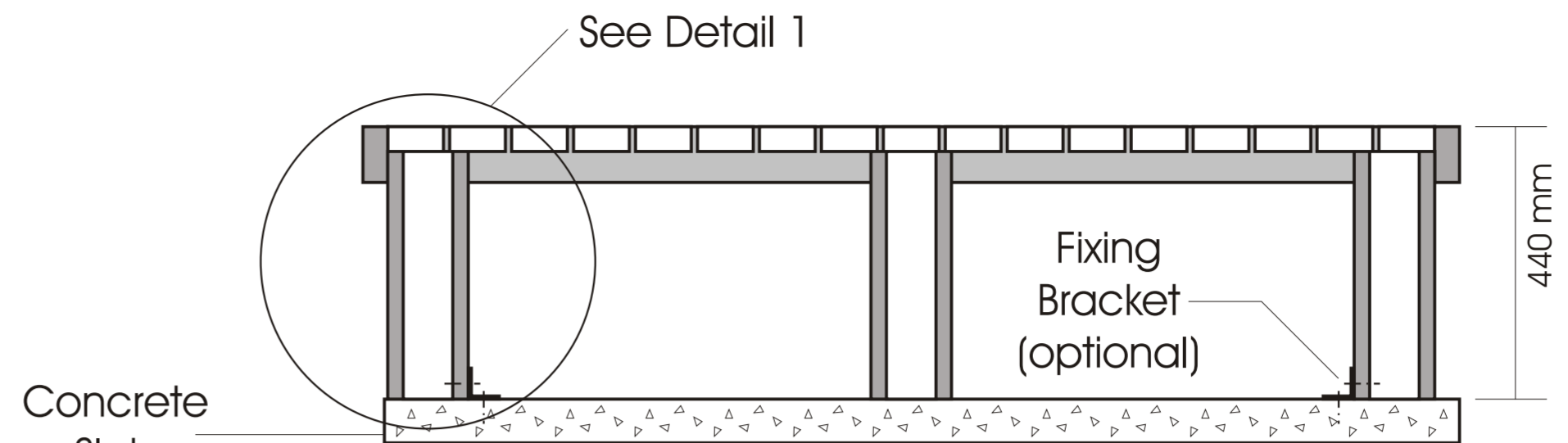


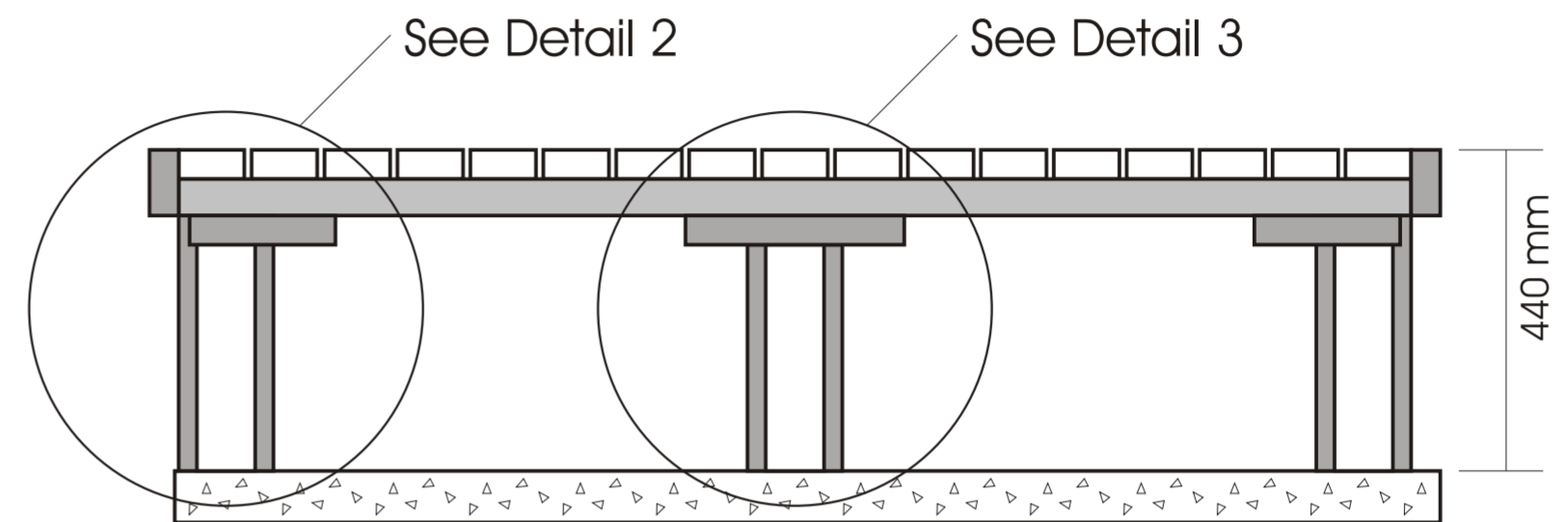
TOP VIEW WITHOUT PLANKS



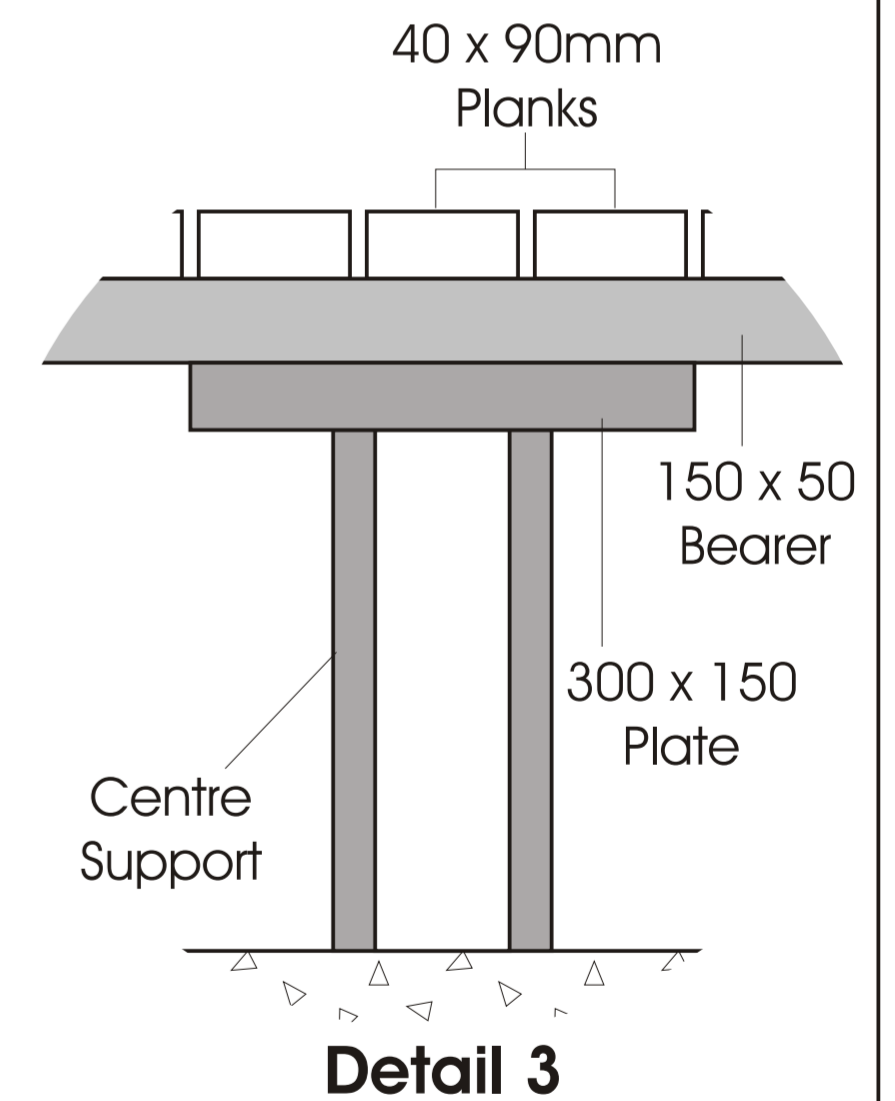
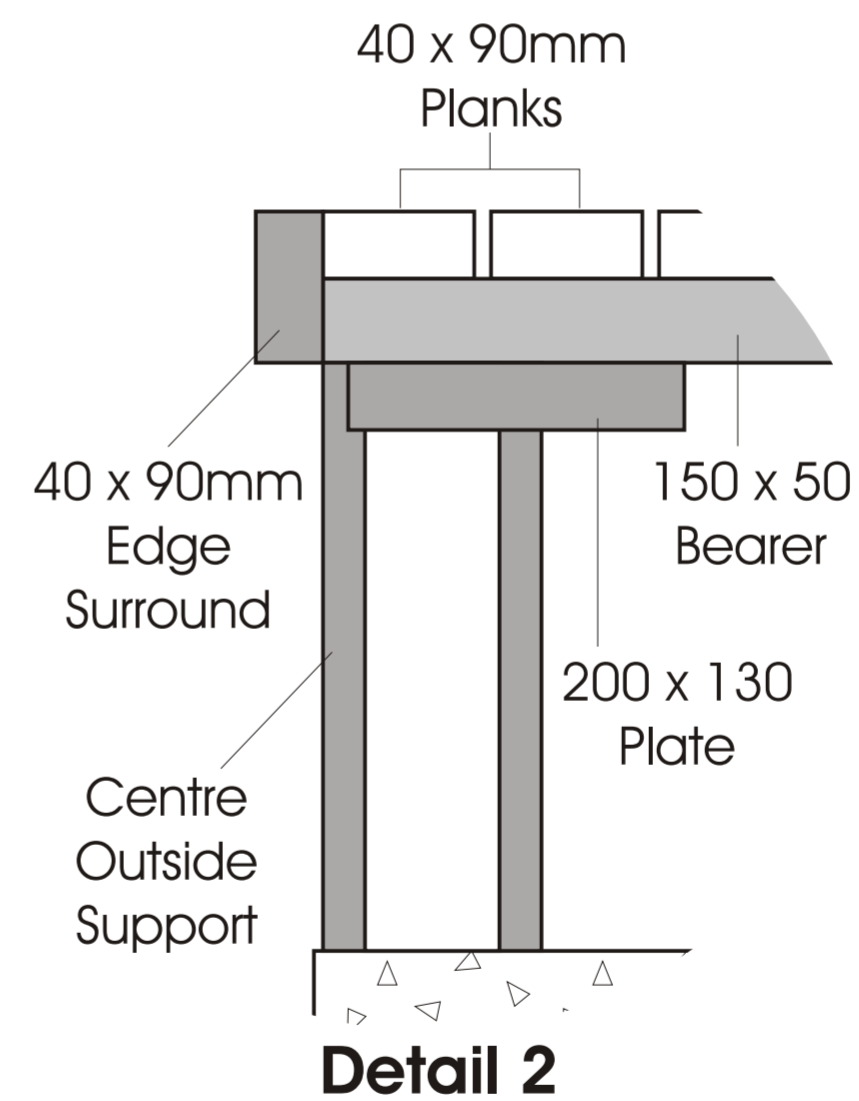
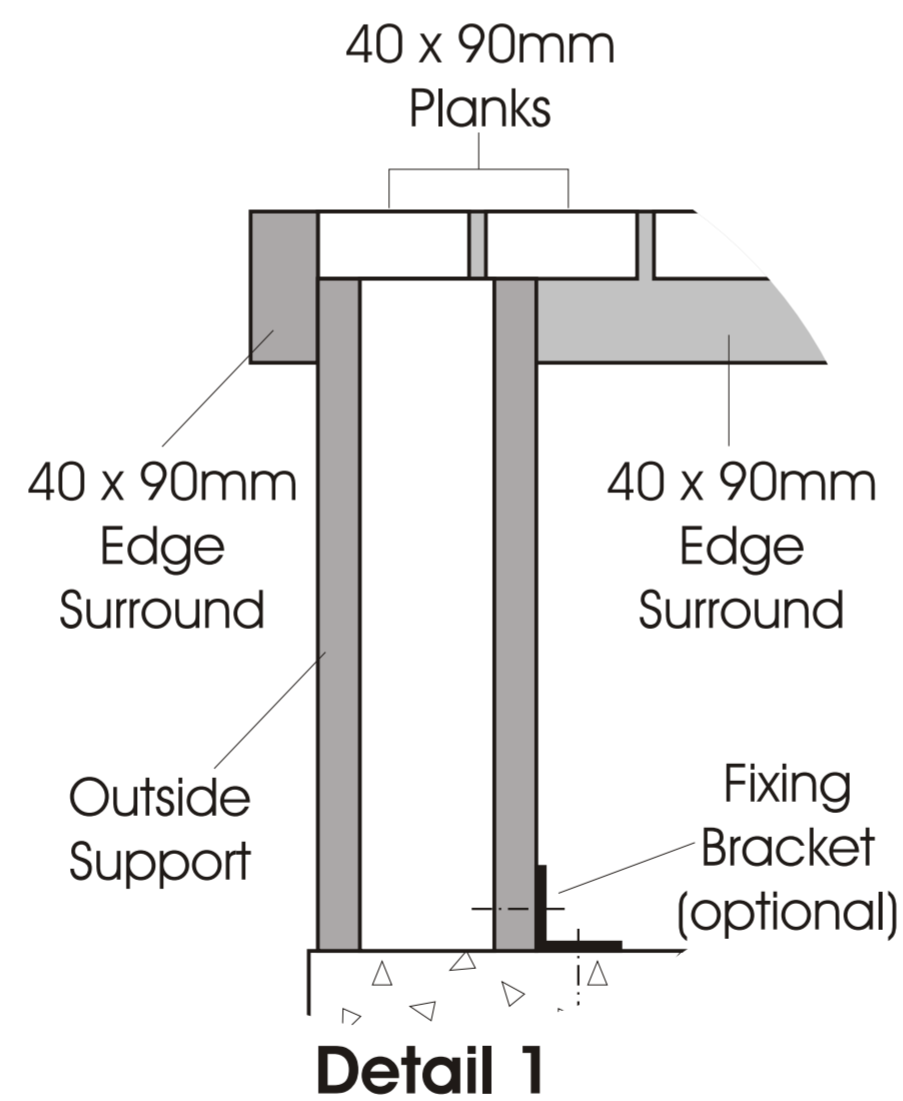
TOP VIEW



SECTION A-A



SECTION B-B



NOTES:

1. Material - Recycled Plastic
2. Planks screwed from underneath.
3. Bench top delivered fully assembled.
4. Supports to be attached on site using bugle head screws supplied.

PARTS:

PARTS:	QTY
Bench Top	1#
Outside Support	6#
Centre Outside Support	2#
Centre Support	1#

**THE BIGBENCH
(BB-1800FS)**

EnviroPlas Products Pty Ltd

Drawn by Nicol CAD Graphics
1 December 2005