



ASSEMBLY INSTRUCTIONS

IMPORTANT: Please read carefully before assembling.

PREMIER SETTING

3 Support 1.8m
In Ground



TABLE:

1. Place table top face down on a flat surface.
2. Place Table supports into position.
3. Secure table supports to the 40x200mm planks using the 100mm hex screws, taking care not to over tighten as this could strip the thread.

NOTE: Do not tighten screws until all are in position.

BENCHES:

1. Place bench slats face down on a flat surface.
2. Attach bench supports to the 40x90mm slats using the 65mm hex screws, taking care not to over tighten as this could strip the thread.

NOTE: Do not tighten screws until all are in position.

Installation

Once the setting has been assembled, drill or dig holes as per installation diagram.

Place the supports of the assembled setting into the holes. Position the setting and ensure that it is well braced to prevent movement and sagging. At this stage it is important to use a spirit level to check that the top is horizontal and the supports are vertical.

Once satisfied that the setting is positioned correctly, fill the holes with concrete, making sure it is packed firmly around the supports.

Once the concrete has set, remove the bracing.

SUGGESTION:

When installing In-Ground furniture it is a good idea to nail some timber bracing across the back of all supports. This will ensure all supports are kept parallel and in alignment, as well as preventing any sagging of the seat during installation. Do not remove bracing until after concrete has set.

COMPONENTS LIST

TABLE:

- 1 X Table Top - pre-assembled
- 3 X Table Supports
- 24 X 14g x 100mm Hex Head screws

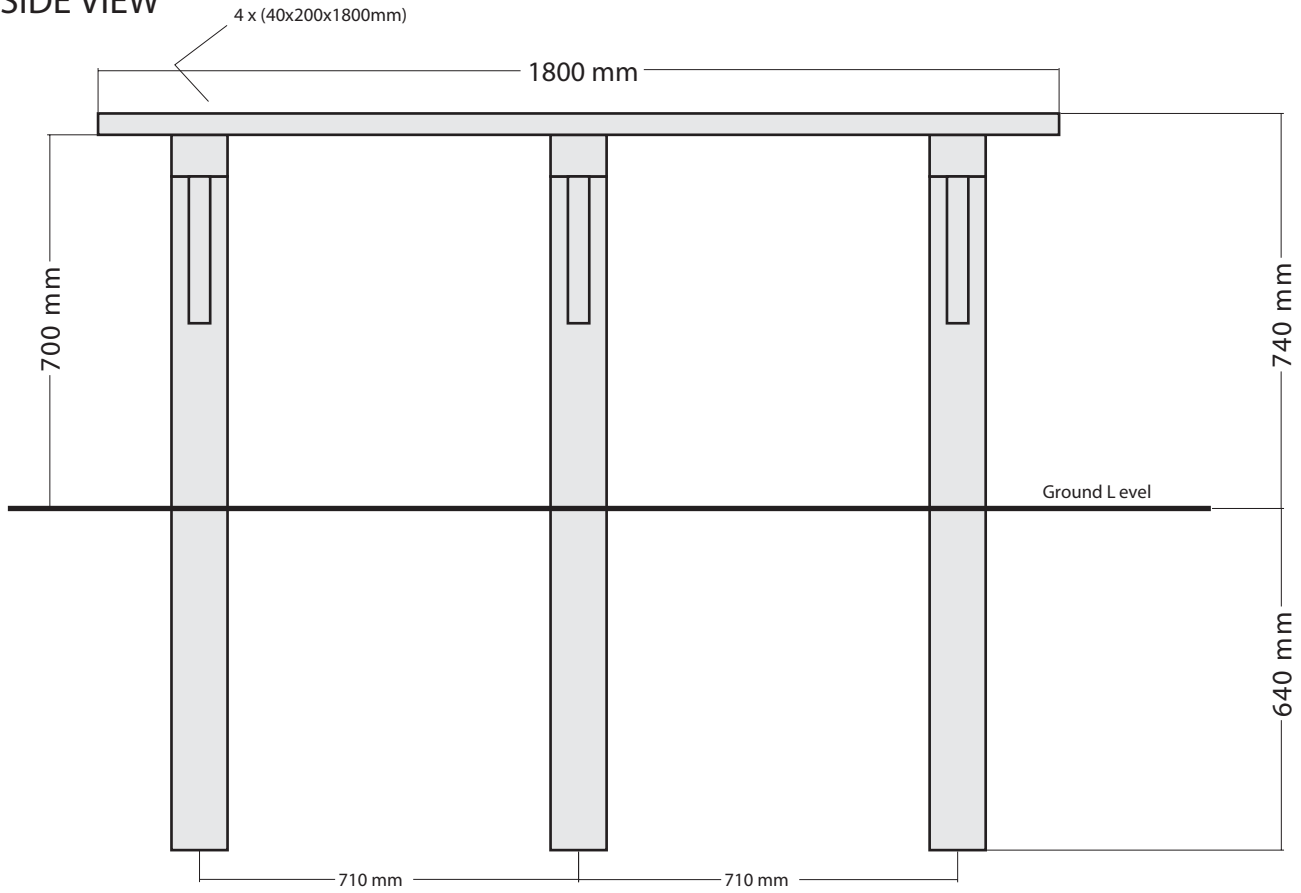
BENCHES:

- 2 X Bench Tops - pre-assembled
- 6 X Bench Supports
- 30 X 14g x 65mm Hex Head Screws

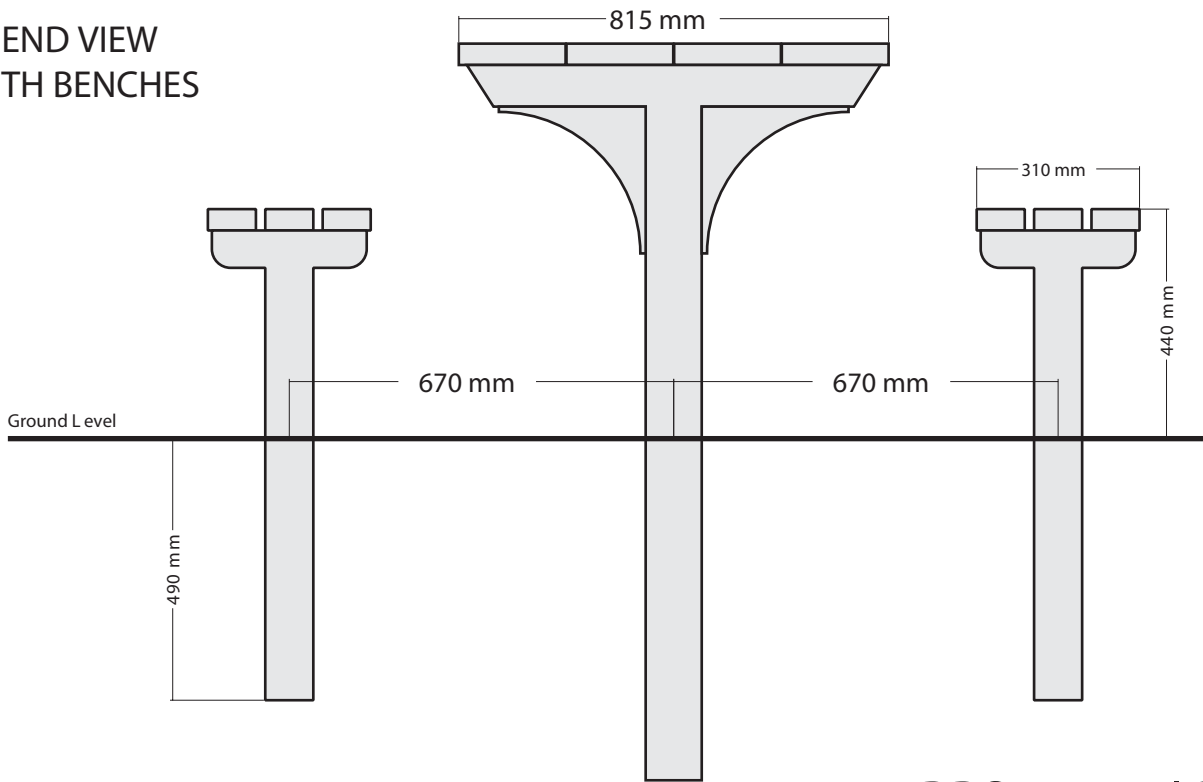
If you require further installation assistance, please contact your supplier.

www.replas.com.au

SIDE VIEW



END VIEW WITH BENCHES



PRS3-1800IG
PREMIER 3-SUPPORT
IN GROUND
SETTING

