



ASSEMBLY INSTRUCTIONS

IMPORTANT: Please read carefully before assembling.

PREMIER 3 Support SETTING 1.8m Free Standing



TABLE:

1. Place Table top face down on a flat surface.
2. Place supports into position. Ensure that the outside table supports have the counter sink holes facing outwards on the support upright.
3. Using the 75mm bugle screws supplied, insert crossarm through the centre table support and screw to the two outside table supports.
4. Secure table supports to the 40x200mm planks using the 65mm hex screws.
NOTE: Do not fully tighten screws until all are in position.
5. Once supports are in position tighten all screws, taking care not to over tighten as this could strip the thread in the table top. Then, using a 4.5mm drill bit, drill a pilot hole into centre leg and secure into crossarm using 75mm bugle screw.
NOTE: Ensure that all legs are square before drilling pilot hole.

BENCHES:

1. Place bench slats face down on a flat surface.
2. Using the 65mm Hex screws supplied, part screw (a couple of turns only) each bench support to the slats.
NOTE: Do not fully tighten screws until all are in position.
3. Once supports are in position tighten all screws, taking care not to over tighten as this could strip the thread in the support. Once all screws have been tightened, turn setting over and place into position.

COMPONENTS LIST

TABLE:

1 X Table Top - pre-assembled
3 X Table Supports
1 X Table Crossarm—1380mm
30 X 14g x 65mm Hex Head screws
5 X 14g x 75mm Bugle Screws

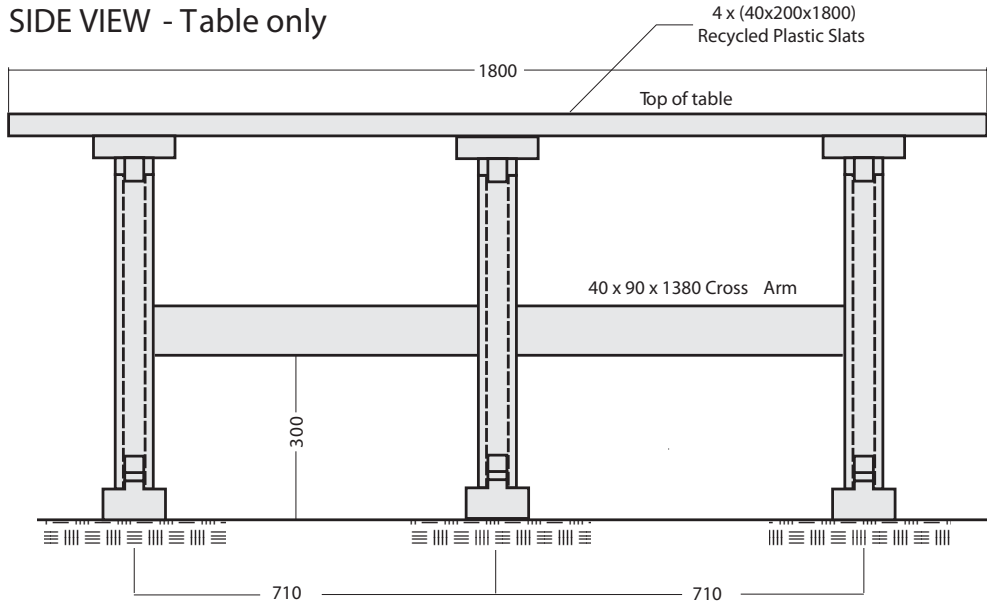
BENCHES:

2 X Bench Tops - pre-assembled
6 X Bench Supports
30 X 14g x 65mm Hex Head Screws

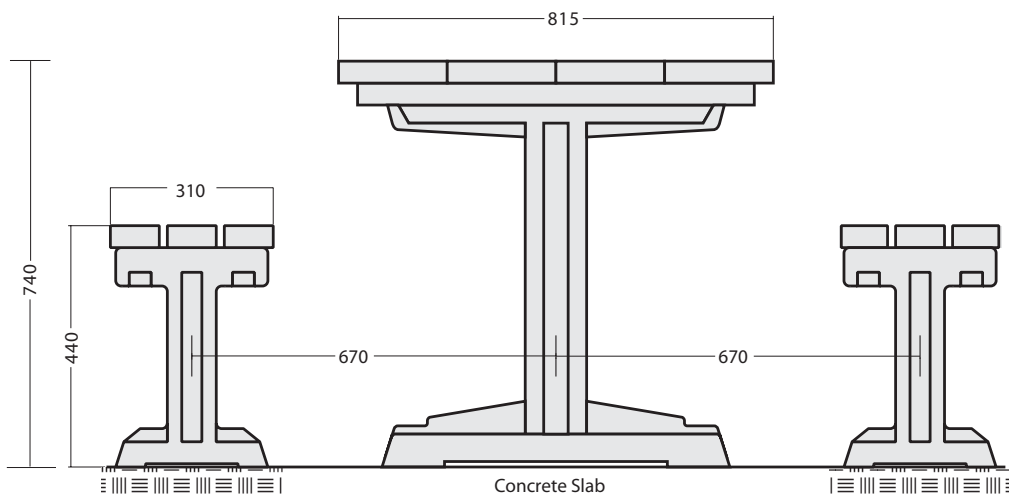
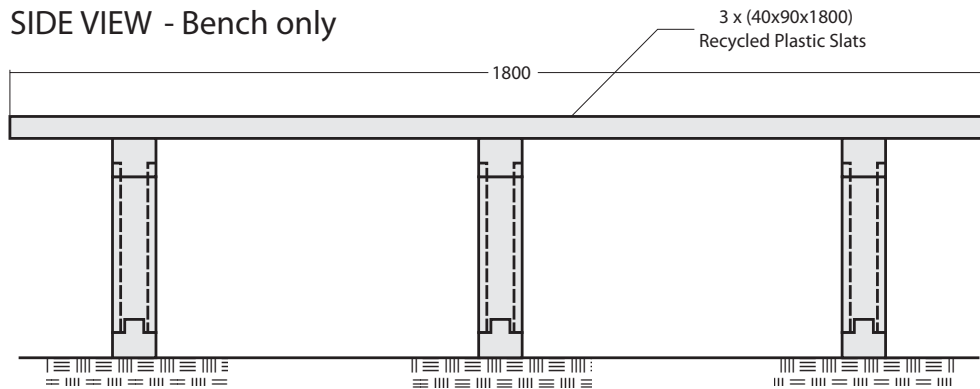
If you require further installation assistance, please contact your supplier.

www.replas.com.au

SIDE VIEW - Table only



SIDE VIEW - Bench only



PRS3-1800 FS
PREMIER 3-Support
FREE STANDING
SETTING